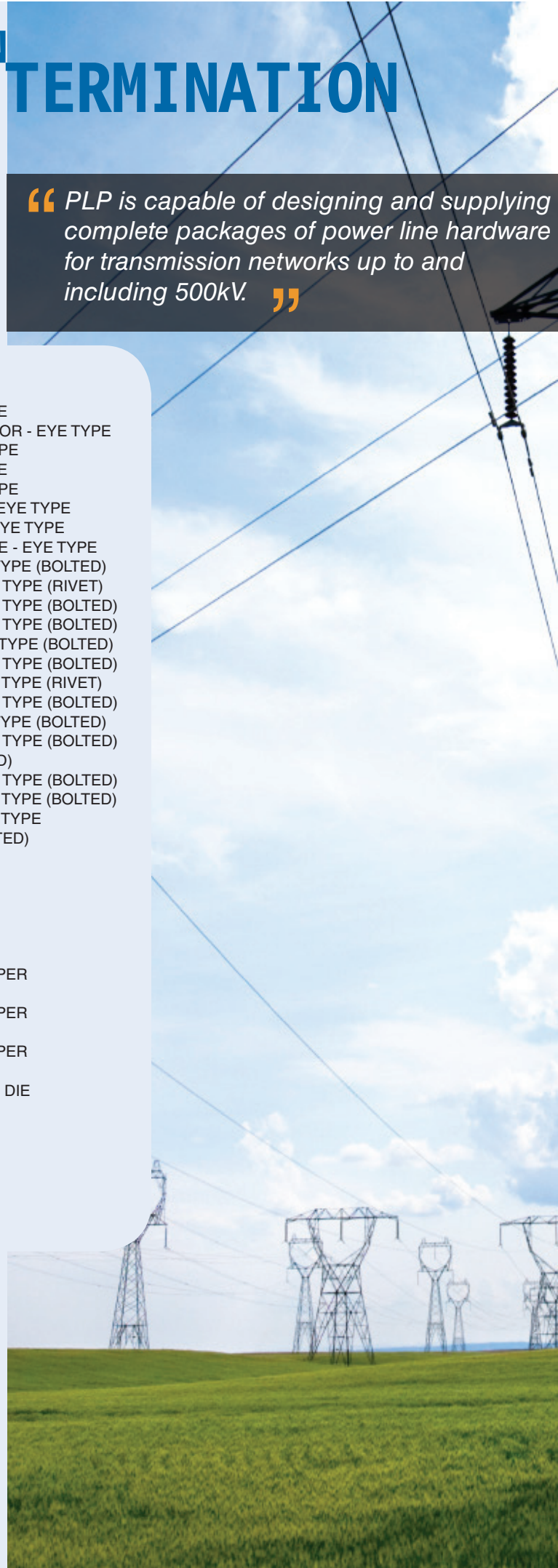


TRANSMISSION TERMINATION

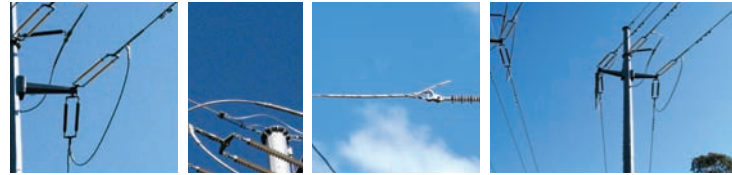
“ PLP is capable of designing and supplying complete packages of power line hardware for transmission networks up to and including 500kV. ”

TERMINATION

- 8 COMPRESSION DEAD-END - GENERAL RECOMMENDATIONS
- 9 COMPRESSION DEAD-END FOR AAC CONDUCTOR - EYE TYPE
- 10 COMPRESSION DEAD-END FOR GAP-TYPE (ACSR) CONDUCTOR - EYE TYPE
- 12 COMPRESSION DEAD-END FOR ACSR CONDUCTOR - EYE TYPE
- 13 COMPRESSION DEAD-END FOR AAC CONDUCTOR - EYE TYPE
- 14 COMPRESSION DEAD-END FOR ACSR CONDUCTOR - EYE TYPE
- 14 COMPRESSION DEAD-END FOR AAC & AAAC CONDUCTOR - EYE TYPE
- 15 COMPRESSION DEAD-END FOR GALVANIZED STEEL WIRE - EYE TYPE
- 15 COMPRESSION DEAD-END FOR ALUMINUM CLAD STEEL WIRE - EYE TYPE
- 16 COMPRESSION DEAD-END FOR AAC CONDUCTOR - CLEVIS TYPE (BOLTED)
- 16 COMPRESSION DEAD-END FOR ACSR CONDUCTOR - CLEVIS TYPE (RIVET)
- 16 COMPRESSION DEAD-END FOR ACSR CONDUCTOR - CLEVIS TYPE (BOLTED)
- 17 COMPRESSION DEAD-END FOR ACSR CONDUCTOR - CLEVIS TYPE (BOLTED)
- 18 COMPRESSION DEAD-END FOR ACSR CONDUCTOR - CLEVIS TYPE (BOLTED)
- 18 COMPRESSION DEAD-END FOR ACSR CONDUCTOR - CLEVIS TYPE (BOLTED)
- 19 COMPRESSION DEAD-END FOR AAAC CONDUCTOR - CLEVIS TYPE (RIVET)
- 19 COMPRESSION DEAD-END FOR ACSR CONDUCTOR - CLEVIS TYPE (BOLTED)
- 20 COMPRESSION DEAD-END FOR AAC CONDUCTOR - CLEVIS TYPE (BOLTED)
- 20 COMPRESSION DEAD-END FOR ACSR CONDUCTOR - CLEVIS TYPE (BOLTED)
- 21 COMPRESSION DEAD-END FOR AAAC - CLEVIS TYPE (BOLTED)
- 21 COMPRESSION DEAD-END FOR ACSR CONDUCTOR - CLEVIS TYPE (BOLTED)
- 22 COMPRESSION DEAD-END FOR AAAC CONDUCTOR - CLEVIS TYPE (BOLTED)
- 22 COMPRESSION DEAD-END FOR AAC CONDUCTOR - TONGUE TYPE
- 23 COMPRESSION DEAD-END ASSEMBLY - CLEVIS ENDED (BOLTED)
- 23 COMPRESSION DEAD-END ASSEMBLY - TONGUE ENDED
- 24 JUMPER TERMINAL STRAIGHT TYPE
- 25 JUMPER TERMINAL 30°
- 26 JUMPER TERMINAL 15° & 30°
- 27 COMPRESSION JUMPER PALM - NGTS
- 27 COMPRESSION JUMPER PALM - DNO
- 28 COMPRESSION DEAD-END ASSEMBLY COMPLETE WITH JUMPER FULL TENSION COMPRESSION DIES - ACSR CONDUCTOR
- 28 COMPRESSION DEAD-END ASSEMBLY COMPLETE WITH JUMPER FULL TENSION COMPRESSION DIES - AAC CONDUCTOR
- 29 COMPRESSION DEAD-END ASSEMBLY COMPLETE WITH JUMPER FULL TENSION COMPRESSION DIES - AAAC CONDUCTOR
- 29 COMPRESSION DEAD-END FOR EARTHWIRE: COMPRESSION DIE
- 30 STRAIN CLAMP - 2 U BOLT
- 30 STRAIN CLAMP - 3 U BOLT
- 31 STRAIN CLAMP - 4 U BOLT
- 31 STRAIN CLAMP - 5 U BOLT



TERMINATION



COMPRESSION DEAD-END - GENERAL RECOMMENDATIONS



PLP manufactures a range of compression Dead-ends for aluminum based phase conductors, SC/AC and SC/GZ earth wires. Dead-ends are available with eye or tongue configurations, in conjunction with in-line or transverse palms to suit any jumper orientation. Contact PLP with specific requirements.

FEATURES

- Engineered to hold 100% conductor UTS
- Designed for standard crimping dies and presses
- Tapered tube design to relieve stress at conductor/DEAD-END meeting point



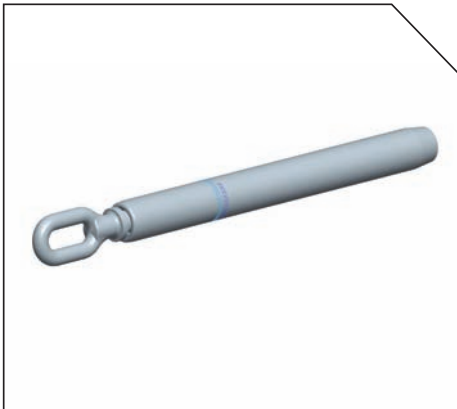
SAFETY & APPLICATION CONSIDERATION

- Do not modify this product in any way.
- This product is intended for use by qualified linesmen only.
- When working in the area of energized line with this product, extra care should be taken to prevent accidental electrical contact.
- Ensure correct procedures are carried out for conductor preparation; incorrect preparation can cause insufficient electrical bonding and/or compromise mechanical strength.
- Make certain conductor has fully entered the recommended distance into the compression sleeve.
- Choose correct die size marked on the compression sleeve. Incorrect die size may cause failure/damage in service.
- Ensure compression dies are installed correctly into the compression tool.
- Important – Ensure die faces have completely closed upon compression; if not, re-check previous considerations.
- Safety equipment including glasses should be worn at all times when operating the compression tool.
- Compression dies are precision tools and should be maintained and looked after accordingly.

TERMINATION

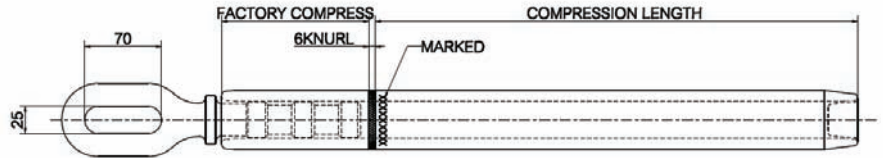


COMPRESSION DEAD-END FOR AAC CONDUCTOR - EYE TYPE

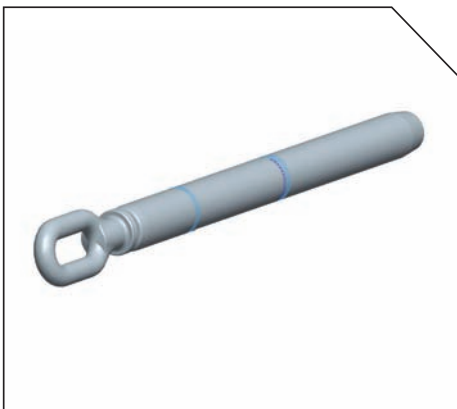


Material: Galvanized Forged Steel + Aluminium

| Part Number | Drawing Number | Code Name | Type of Conductor | Conductor Stranding |
|-------------|----------------|------------------|-------------------|---------------------|
| C55659-000 | A4DD14084T | 795MCM "ARBUTUS" | AAC | 37/3.724 |
| A68331-000 | A4DD14083T | HAWTHORN | AAC | 61/3.551 |

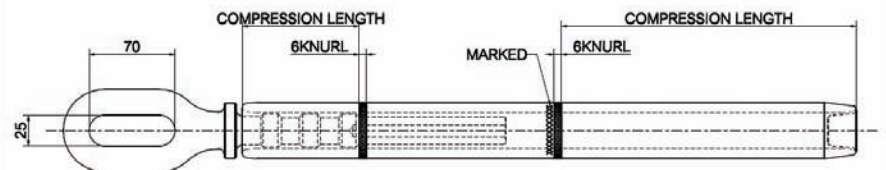


COMPRESSION DEAD-END FOR ACSR CONDUCTOR - EYE TYPE

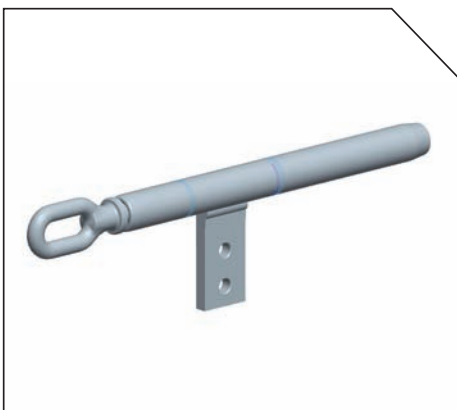


Material: Galvanized Forged Steel + Aluminium

| Part Number | Drawing Number | Code Name | Type of Conductor | Conductor Stranding |
|-------------|----------------|-----------------|-------------------|---------------------|
| CF5192-000 | A4DD15946T | 795MCM "CONDOR" | ACSR/GA | 54/3.08+7/3.08 |

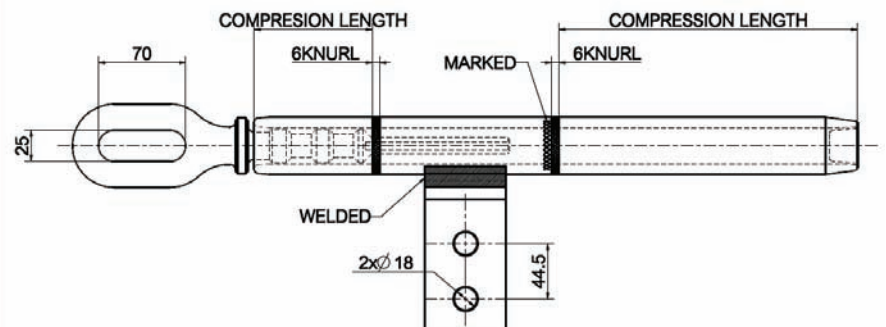


COMPRESSION DEAD-END FOR ACSR CONDUCTOR - EYE TYPE

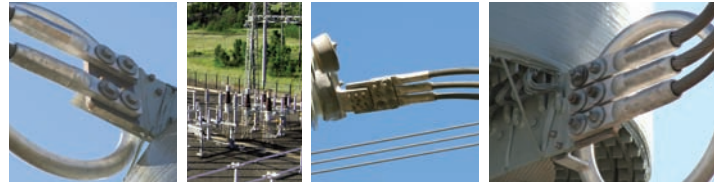


Material: Galvanized Forged Steel + Aluminium

| Part Number | Drawing Number | Code Name | Type of Conductor | Conductor Stranding |
|-------------|----------------|-----------|-------------------|---------------------|
| P00753-000 | A4DD17420T | 795MCM | ACSR/GA | 42/3.5+7/1.94 |

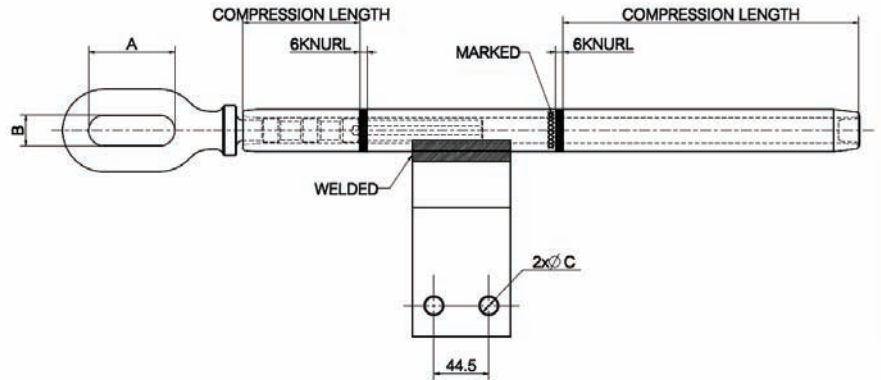
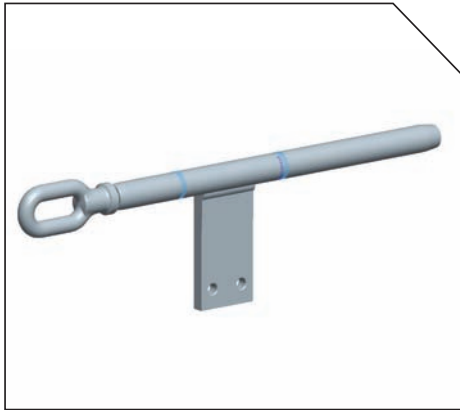


TERMINATION



COMPRESSION DEAD-END FOR GAP-TYPE (ACSR) CONDUCTOR - EYE TYPE

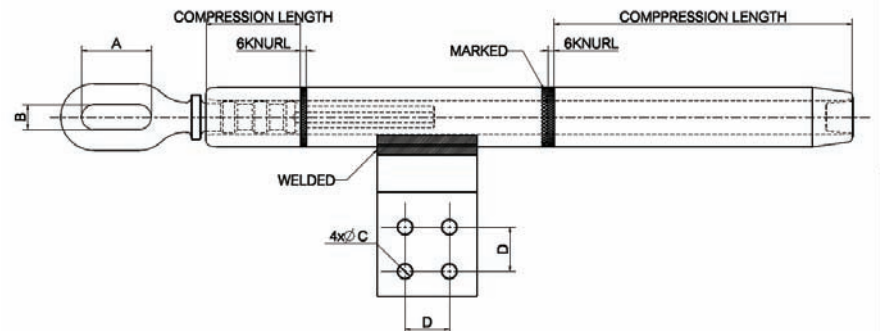
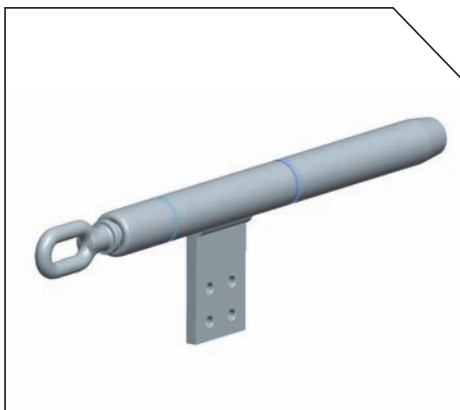
| Part Number | Drawing Number | Code Name | Type of Conductor | Conductor Stranding | A (mm) | B (mm) | C (mm) |
|-------------|----------------|-----------|-------------------|-------------------------------|--------|--------|--------|
| A20190-000 | A4DD17228T | 150SQ.MM. | GZTACSR | (14+10)TW+7/2.0 | 51 | 25 | Ø14 |
| E73132-000 | A4DD17297T | 200SQ.MM. | GZTACSR | 18/2.8+11/TW+7/2.4EST | 70 | 25 | Ø14 |
| CK2937-000 | A4DD16155T | 208SQ.MM. | GZTACSR | 14,10/TW(3.37,3.26)+7/2.4EST | 70 | 25 | Ø18 |
| 944540-000 | A4DD17674T | 240SQ.MM. | GTACSR | 15/TW(3.49)+10/TW(3.74)+7/2.4 | 66 | 32 | Ø14 |



Material: Galvanized Forged Steel + Aluminium

COMPRESSION DEAD-END FOR GAP-TYPE (ACSR) CONDUCTOR - EYE TYPE

| Part Number | Drawing Number | Code Name | Type of Conductor | Conductor Stranding | A (mm) | B (mm) | C (mm) | D (mm) |
|-------------|----------------|-----------|-------------------|----------------------------|--------|--------|--------|--------|
| 582678-000 | A4DD16928T | 410SQ.MM. | GZTACSR | 15,10/TZ(4.6,4.5)+7/3.0EST | 66 | 32 | Ø14 | 50 |
| 869418-000 | A4DD16872T | 410SQ.MM. | GZTACSR | 15,10 TZ(4.6,4.5)+7/3.0EST | 66 | 32 | Ø14 | 50 |
| 920382-000 | A4DD15884T | 540SQ.MM. | GTACSR | 42/3.5+11/TW3.98+7/3.1 | 70 | 25 | Ø14 | 44.5 |



Material: Galvanized Forged Steel + Aluminium

TERMINATION

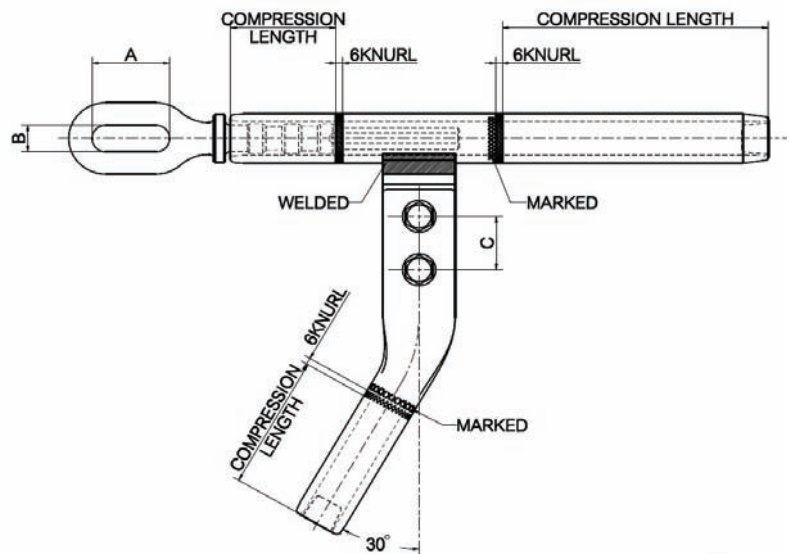


COMPRESSION DEAD-END FOR GAP-TYPE (ACSR) CONDUCTOR - EYE TYPE

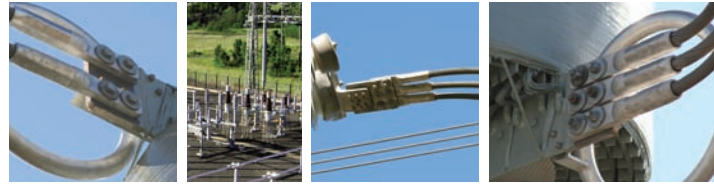
| Part Number | Drawing Number | Code Name | Type of Conductor | Conductor Stranding | A (mm) | B (mm) | C (mm) |
|-------------|----------------|-------------------|-------------------|------------------------------|--------|--------|--------|
| 986564-000 | A4DD17226T | 150SQ.MM. | GZTACSR | (14+10)TW+7/2.0 | 51 | 25 | 44.5 |
| 423804-000 | A4DD16978T | 185SQ.MM. | GTACSR | 14/TW3.27+10/TW2.98+7/2.0 | 51 | 25 | 44.5 |
| 250160-000 | A4DD17906T | 185/30SQ.MM. | ACSR | 26/3.00+7/2.33 | 51 | 25 | 44.5 |
| 650200-000 | A4DD16094T | 200SQ.MM. | GZTACSR | 18/2.8+11/TW+7/2.4EST | 70 | 25 | 44.5 |
| CK2947-000 | A4DD16139T | 208SQ.MM. | GZTACSR | 14,10/TW(3.37,3.26)+7/2.4EST | 70 | 25 | 44.5 |
| EA4094-000 | A4DD16487T | 238/97SQ.MM. | STACIR | 40/2.75STAI+7/4.2AW | 70 | 25 | 44.5 |
| P00617-000 | A4DD17001T | 240SQ.MM. | GTACSR | 15/TW3.49+10/TW3.74+7/2.4 | 66 | 25 | 44.5 |
| 497224-000 | A3DD1976T | 336.4MCM "LINNET" | ACSR | 26/2.89+7/2.25 | 51 | 25 | 44.5 |
| A74315-000 | A4DD12949T | Ø15.4 | AACSR | 12/3.08+7/3.08 | 70 | 25 | 44.5 |
| 313480-000 | A3DD3445T | 795MCM | ACSR | 42/3.5+7/1.94 | 70 | 25 | 44.5 |
| E61014-000 | A4DD14223T | 795MCM "CONDOR" | ACSR | 54/3.08+7/3.08 | 70 | 25 | 44.5 |
| 092052-000 | A3DD1055T | HAWK | ACSR | 26/3.44+7/2.68 | 51 | 25 | 44.5 |
| 441108-000 | A4DD16043T | HAWK | TACSR/AS | 26/3.44+7/2.68 | 51 | 25 | 44.5 |
| 895976-000 | A4DD17067T | HEN | ACSR | 30/3.2+7/3.2 | 51 | 25 | 44.5 |
| 342204-000 | A4DD16762T | ZEBRA | ACSR | 54/3.18+7/3.18 | 70 | 25 | 50 |



Material: Galvanized Forged Steel + Aluminium

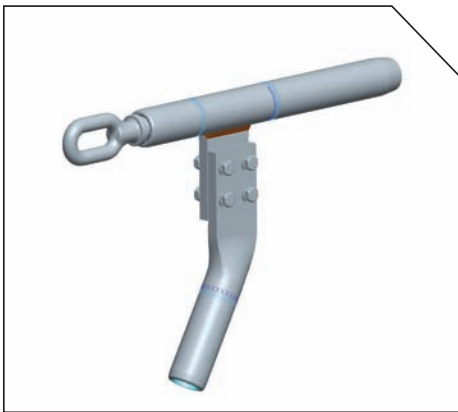


TERMINATION

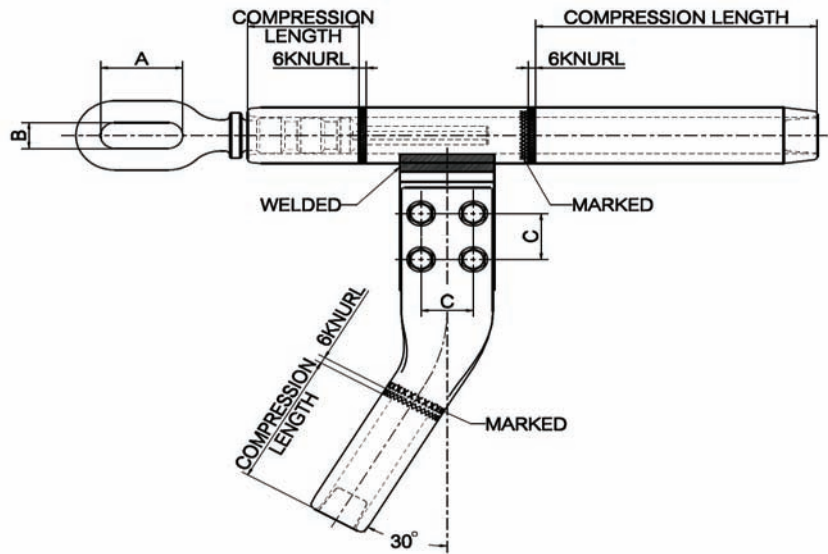


COMPRESSION DEAD-END FOR GAP-TYPE (ACSR) CONDUCTOR - EYE TYPE

| Part Number | Drawing Number | Code Name | Type of Conductor | Conductor Stranding | A (mm) | B (mm) | C (mm) |
|-------------|----------------|-----------|-------------------|------------------------------|--------|--------|--------|
| CA3373-000 | A4DD15543T | 410SQ.MM. | GTACSR | - | 66 | 32 | 50 |
| 660596-000 | A4DD17530T | 456SQ.MM. | ZTACIR/AS | 24/TW5.15+19/2.6 | 70 | 25 | 44.5 |
| 598590-000 | A4DD15871T | 540SQ.MM. | GTACSR | 42/3.5+11/TW3.98+7/3.1 | 70 | 25 | 44.5 |
| 792338-000 | A3DD1137T | 1272MCM | ACSR/GA | 42/4.42+7/2.46 | 70 | 25 | 44.5 |
| P01245-000 | A4DD18036T | 795MCM | ACSR | 14,10/TW(3.37,3.26)+7/2.4EST | 70 | 25 | 44.5 |

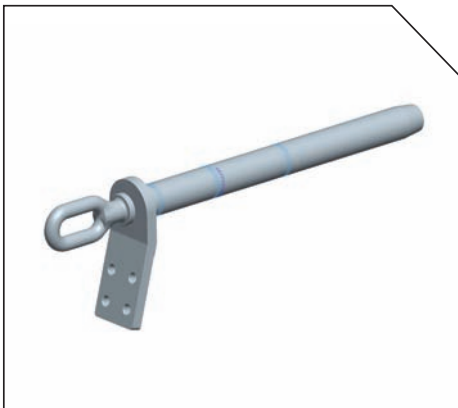


Material: Galvanized Forged Steel + Aluminium

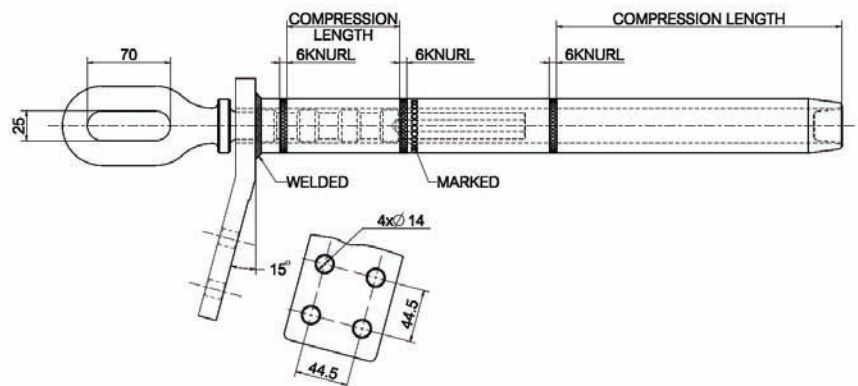


COMPRESSION DEAD-END FOR ACSR CONDUCTOR - EYE TYPE

| Part Number | Drawing Number | Code Name | Type of Conductor | Conductor Stranding |
|-------------|----------------|--------------|-------------------|---------------------|
| 983596-000 | A4DD08105T | 380/50SQ.MM. | ACSR | 54/3.0+7/3.0 |



Material: Galvanized Forged Steel + Aluminium

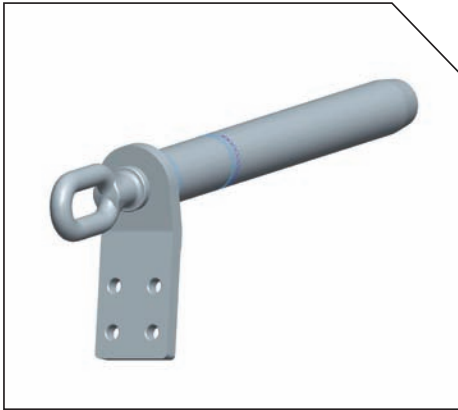


TERMINATION

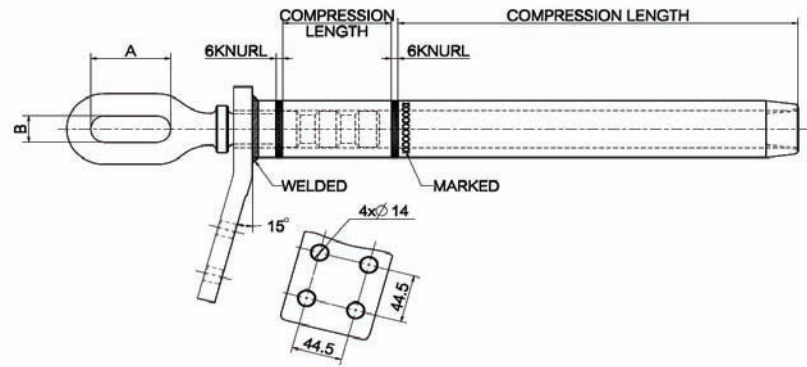


COMPRESSION DEAD-END FOR AAC CONDUCTOR - EYE TYPE

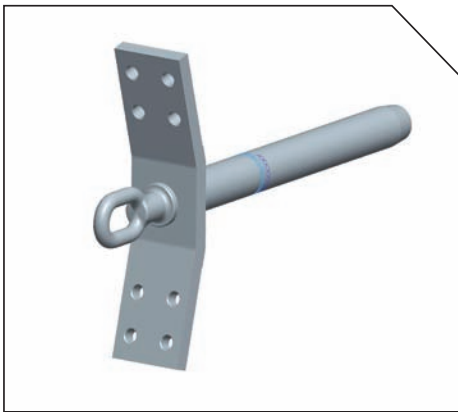
| Part Number | Drawing Number | Code Name | Type of Conductor | Conductor Stranding | A (mm) | B (mm) |
|-------------|----------------|-----------|-------------------|---------------------|--------|--------|
| 944674-000 | A4DD15078T | 240SQ.MM. | AAC | 61/2.25 | 51 | 25 |
| D20408-000 | A3DD4640T | 400SQ.MM. | AAC | 61/2.85 | 51 | 25 |
| 858328-000 | A3DD4720T | 625SQ.MM. | AAC | 91/2.96 | 70 | 25 |



Material: Galvanized Forged Steel + Aluminium

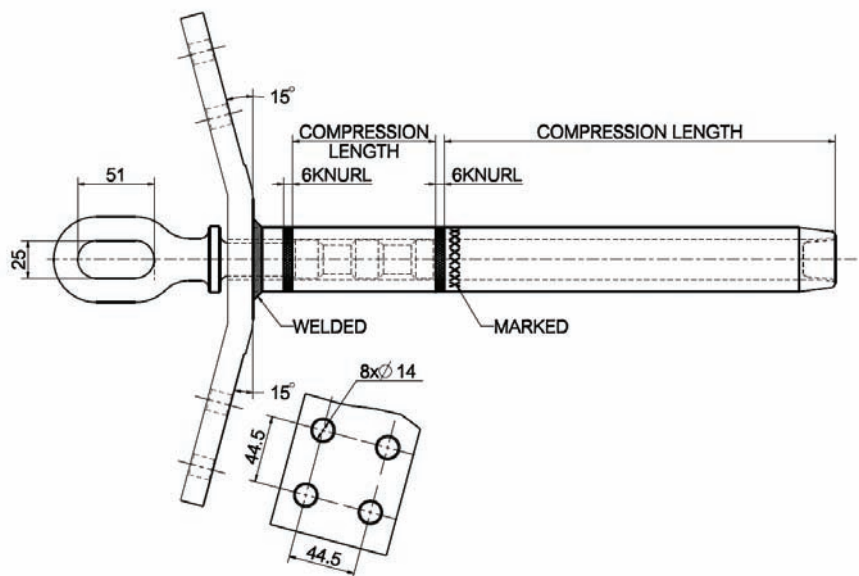


COMPRESSION DEAD-END FOR AAC CONDUCTOR - EYE TYPE

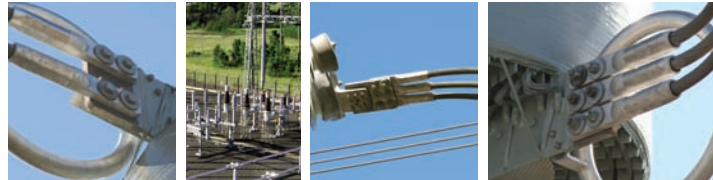


Material: Galvanized Forged Steel + Aluminium

| Part Number | Drawing Number | Code Name | Type of Conductor | Conductor Stranding |
|-------------|----------------|-----------|-------------------|---------------------|
| A73939-000 | A3DD4650T | 400SQ.MM. | AAC | 61/2.85 |

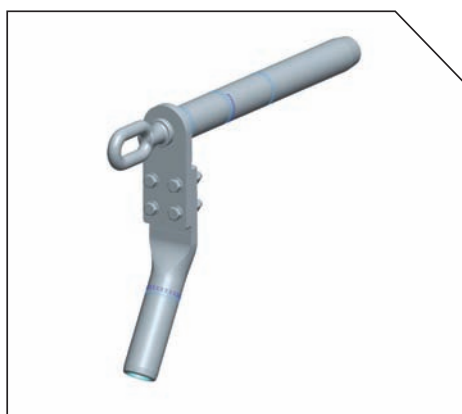


TERMINATION

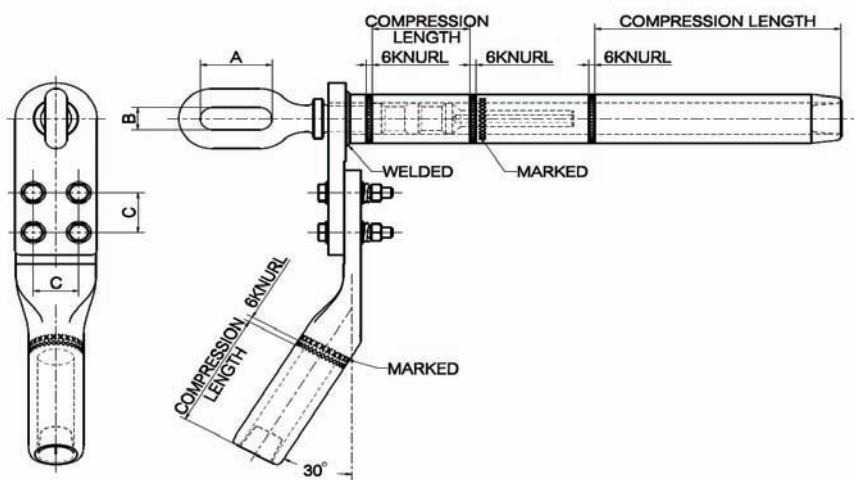


COMPRESSION DEAD-END FOR ACSR CONDUCTOR - EYE TYPE

| Part Number | Drawing Number | Code Name | Type of Conductor | Conductor Stranding | A (mm) | B (mm) | C (mm) |
|-------------|----------------|-----------------|-------------------|---------------------|--------|--------|--------|
| E42238-000 | A4DD15338T | 116.2SQ.MM. | AACSR | 18/2.0+19/2.0 | 70 | 25 | 44.5 |
| CE0092-000 | A4DD15589T | 240/32 | ACSR | 24/3.6+7/2.4 | 51 | 25 | 44.5 |
| A08258-000 | A3DD06458T | 795MCM "CONDOR" | ACSR/GA | 54/3.08+7/3.08 | 70 | 25 | 44.5 |
| 358498-000 | A3DD4839T | 1272MCM | ACSR/GA | 42/4.42+7/2.46 | 70 | 25 | 44.5 |
| A46939-000 | A4DD10381T | BLUEJAY | ACSR | 45/4+7/2.66 | 70 | 25 | 44.5 |
| 258108-000 | A4DD10777T | CARDINAL | ACSR | 54/3.38+7/3.38 | 70 | 25 | 44.5 |
| D60375-000 | A4DD08402T | DOVE | ACSR | 26/3.72+7/2.89 | 70 | 25 | 44.5 |
| CB4272-000 | A4DD15224T | RAIL | ACSR | 42/3.70+7/2.47 | 70 | 25 | 44.5 |

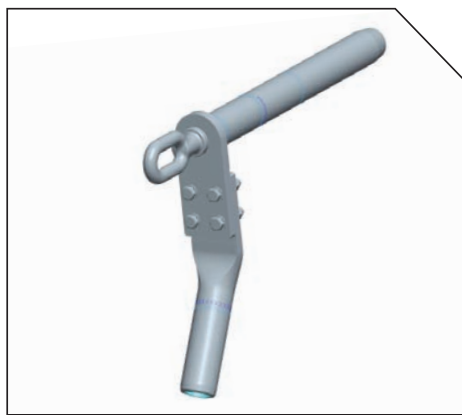


Material: Galvanized Forged Steel + Aluminium

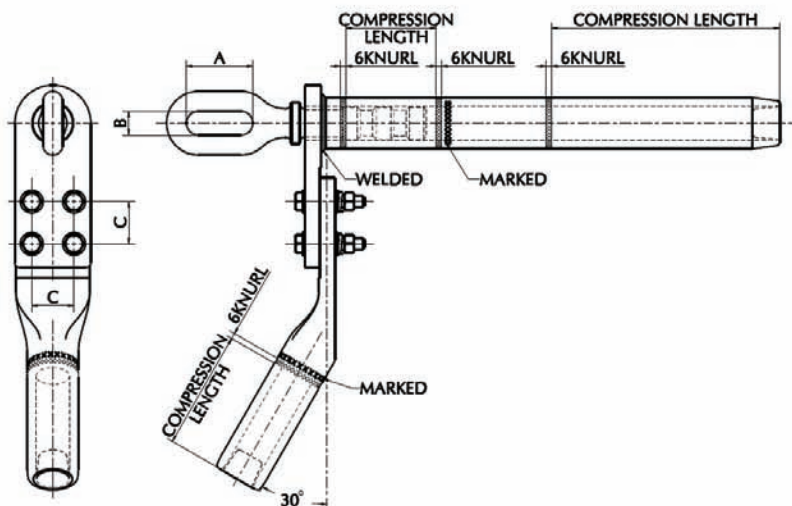


COMPRESSION DEAD-END FOR AAC & AAAC CONDUCTOR - EYE TYPE

| Part Number | Drawing Number | Code Name | Type of Conductor | Conductor Stranding | A (mm) | B (mm) | C (mm) |
|-------------|----------------|-----------------------|-------------------|---------------------|--------|--------|--------|
| 169122-000 | A4DD10817T | 300MCM | AAAC | 61/2.5 | 70 | 25 | 44.5 |
| CB4267-000 | A4DD15170T | GREELEY | AAAC | 37/4.02 | 51 | 25 | 44.5 |
| CM2269-000 | A4DD16440T | 810SQ.MM. "COREOPSIS" | AAC | 61/4.11 | 70 | 25 | 44.5 |



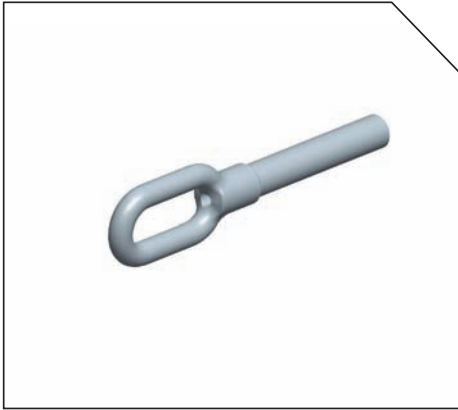
Material: Galvanized Forged Steel + Aluminium



TERMINATION

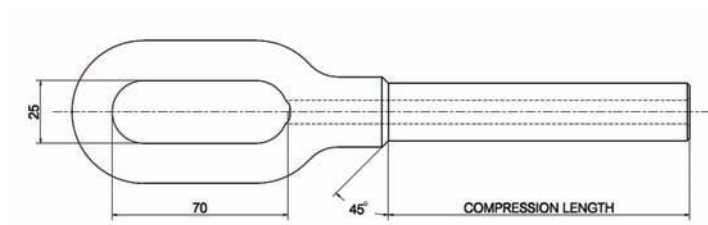


COMPRESSION DEAD-END FOR GALVANIZED STEEL WIRE - EYE TYPE

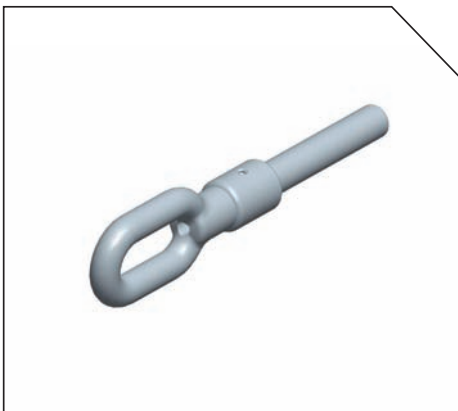


Material: Galvanized Forged Steel

| Part Number | Drawing Number | Code Name | Type of Conductor | Conductor Stranding |
|-------------|----------------|-----------|-------------------|---------------------|
| 712766-000 | A4DD07603T | 55SQ.MM. | GSW | 7/3.26 |
| 073220-000 | A4DD17843T | 70SQ.MM. | GSW | 7/3.5 |
| CF9788-000 | A4DD15896T | 100SQ.MM. | GSW | 19/3.2-40AS |
| 766910-000 | A4DD3791T | 3/8" | GSW | - |
| 922482-000 | A4DD10724T | 7/16" | HS. GSW | - |
| D99945-000 | A4DD14684T | Ø7.93 | GSW | - |
| F11427-000 | A4DD11839T | Ø10.98 | GSW | - |
| A20127-000 | A4DD15435T | Ø12.5 | GSW | 19/2.5 |
| A15493-000 | A4DD12945T | Ø12.7 | GSW | - |
| E42854-000 | A4DD14883T | Ø13.2 | GSW | - |
| CB6904-000 | A4DD15591T | - | GSW | 19/2.36 |

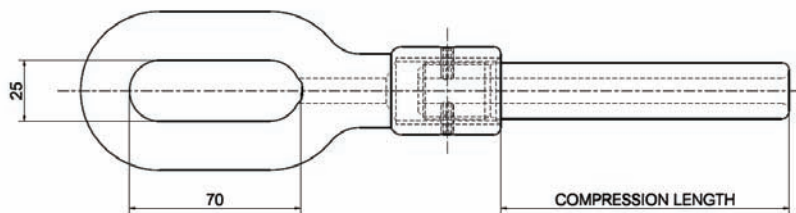


COMPRESSION DEAD-END FOR ALUMINUM CLAD STEEL WIRE - EYE TYPE

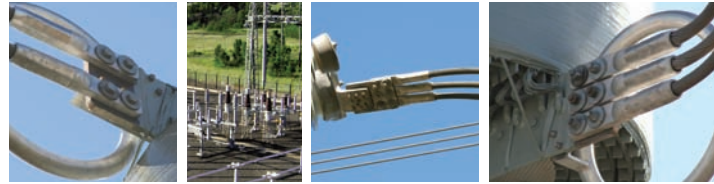


Material: Galvanized Forged Steel + Stainless Steel

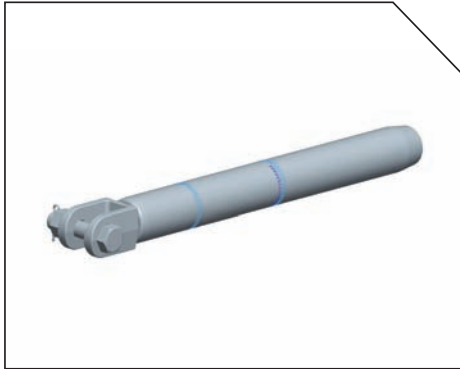
| Part Number | Drawing Number | Code Name | Type of Conductor | Conductor Stranding |
|-------------|----------------|------------|-------------------|---------------------|
| 215246-000 | A4DD07953T | 7/3.25 | AWG | 7/3.25 |
| A81669-000 | A4DD14555T | 7 NO 8 AWG | AWG | - |
| 531716-000 | A4DD16038T | 20AS | AWG | 7/3.665 |



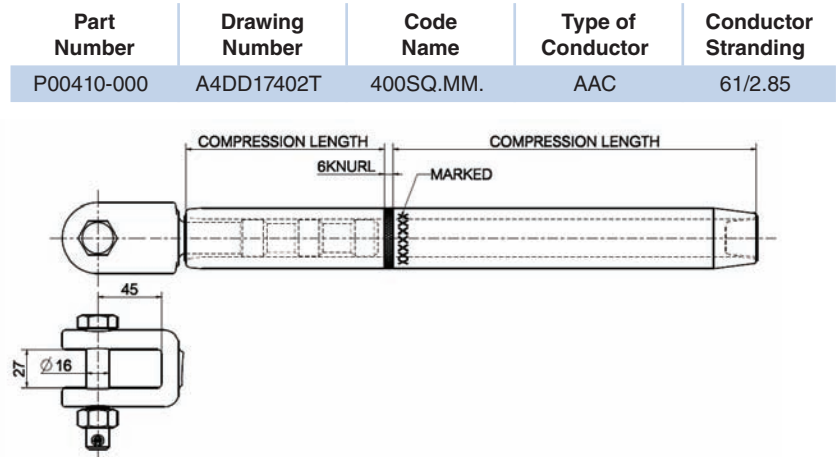
TERMINATION



COMPRESSION DEAD-END FOR AAC CONDUCTOR - CLEVIS TYPE (BOLTED)



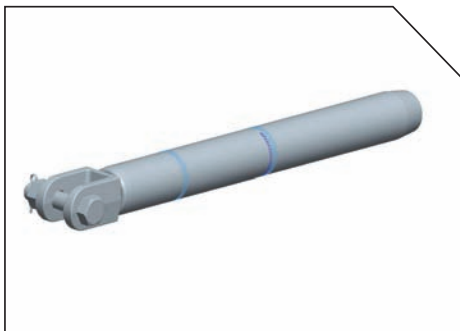
Material: Galvanized Forged Steel + Aluminium



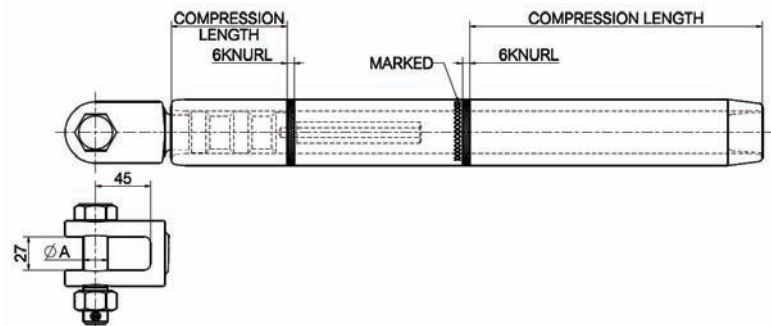
COMPRESSION DEAD-END FOR ACSR CONDUCTOR - CLEVIS TYPE (BOLTED)

| Part Number | Drawing Number | Code Name | Type of Conductor | Conductor Stranding | A Bolt Size (mm) |
|-------------|----------------|--------------------|-------------------|---------------------|------------------|
| D74194-000 | A4DD13339T* | 288SQ.MM. "PASTEL" | ACSR | 30/3.15+7/3.15 | Ø16 |
| D96751-000 | A4DD12870T | 411SQ.MM. "PASTEL" | AACSR | 32/3.60+19/2.40 | Ø18 |
| 123728-000 | A4DD08740T | 1272MCM | ACSR | 42/4.42+7/2.46 | Ø20 |
| E21082-000 | A4DD12476T* | PHLOX 116 | AACSR | 18/2.0+19/2.0 | Ø16 |

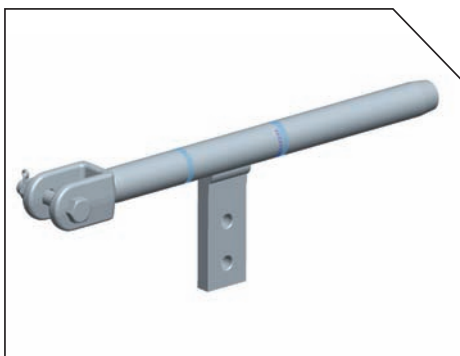
* Assembly with Rivet Type



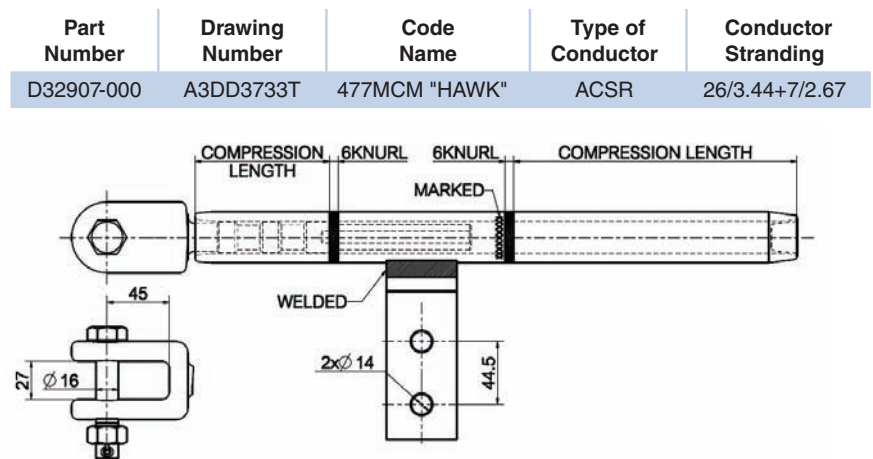
Material: Galvanized Forged Steel + Aluminium



COMPRESSION DEAD-END FOR ACSR CONDUCTOR - CLEVIS TYPE (BOLTED)



Material: Galvanized Forged Steel + Aluminium



TERMINATION



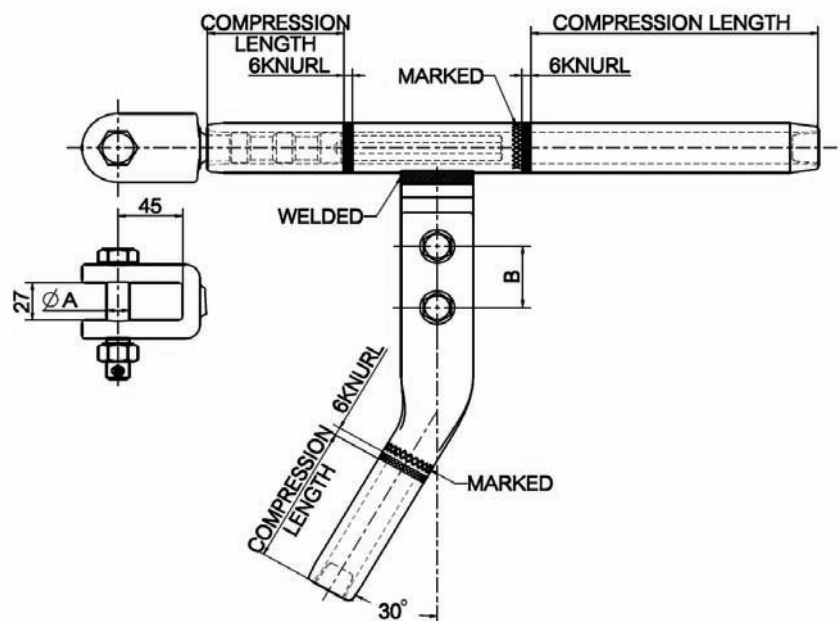
COMPRESSION DEAD-END FOR ACSR CONDUCTOR - CLEVIS TYPE (BOLTED)

| Part Number | Drawing Number | Code Name | Type of Conductor | Conductor Stranding | A Bolt Size (mm) | B (mm) |
|-------------|----------------|--------------------|-------------------|---------------------|------------------|--------|
| EA0213-000 | A4DD16380T | 187.5SQ.MM. | ACSR | 30/2.54+7/2.54 | Ø16 | 44.5 |
| F29097-000 | A4DD13270T | 288SQ.MM. "PASTEL" | AACSR | 30/3.15+7/3.15 | Ø20 | 44.5 |
| EA0209-000 | A4DD16379T | 300SQ.MM. | ACSR | 26/3.86+7/3.00 | Ø16 | 44.5 |
| 061504-000 | A4DD16683T | 50/168 | STACIR/AW | 34/2.51+7/3.0 | Ø16 | 44.5 |
| CJ8310-000 | A4DD15907T | 120/20 | ACSR | 26/2.44+7/1.90 | Ø20 | 44.5 |
| 716844-000 | A4DD16444T | 150/25 | ACSR | 26/2.7+7/2.1 | Ø16 | 44.5 |
| CF1645-000 | A4DD15411T* | 240/40 | ACSR | 26/3.45+7/2.68 | Ø16 | 44.5 |
| C22489-000 | A4DD08294T* | 340/30 | ACSR | 48/3.00+7/2.33 | Ø16 | 44.5 |
| CF9324-000 | A3DD1093T* | BATANG | ACSR | 18/4.78+7/1.68 | Ø16 | 44.5 |
| E94016-000 | A3DD1415T | BEAR | ACSR | 30/3.35+7/3.35 | Ø16 | 44.5 |
| A63341-000 | A4DD14886T | BISON | ACSR | 54/3.0+7/3.0 | Ø20 | 50 |
| D79959-000 | A4DD14111T | GOAT | ACSR | 30/3.71+7/3.71 | Ø16 | 44.5 |
| D00441-000 | A4DD07505T* | HAWK | ACSR | 26/3.44+7/2.67 | Ø16 | 44.5 |
| 607908-000 | A3DD4144T* | LYNX | ACSR | 30/2.79+7/2.79 | Ø16 | 50 |
| C84618-000 | A4DD15530T* | OSTRICH | ACSR | 26/2.73+7/2.12 | Ø16 | 44.5 |
| F21946-000 | A4DD14770T* | PHLOX 147-1 | ACSR | 18/2.25+19/2.25 | Ø16 | 44.5 |
| D44411-000 | A4DD15212T* | PIPER | ACSR | 30/2.54+7/2.54 | Ø16 | 44.5 |
| 488532-000 | A4DD17569T* | TERN | ACSR | 45/3.36+7/2.24 | Ø16 | 44.5 |
| F34673-000 | A3DD1337T* | WOLF | ACSR | 30/2.59+7/2.59 | Ø16 | 44.5 |
| CG1063-000 | A4DD15814T | ZEBRA | ACSR | 54/3.18+7/3.18 | Ø20 | 50 |
| 302842-000 | A4DD1454T* | ZEBRA | ACSR | 54/3.18+7/3.18 | Ø16 | 50 |

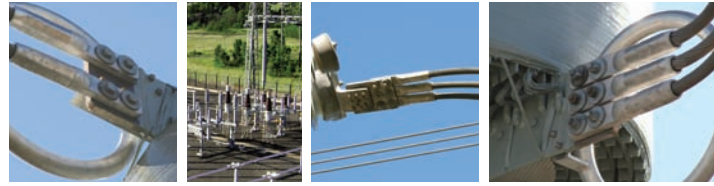
* Assembly with Rivet Type



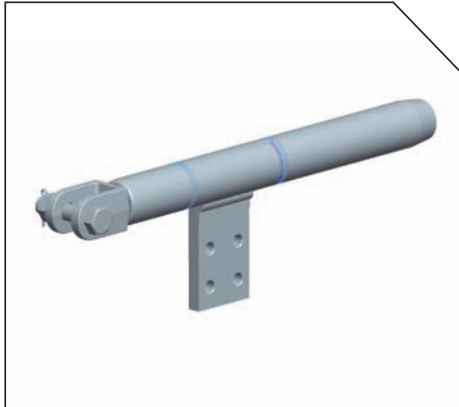
Material: Galvanized Forged Steel + Aluminium



TERMINATION

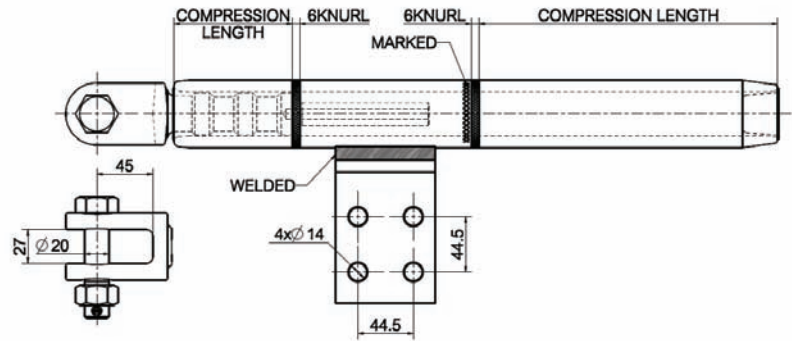


COMPRESSION DEAD-END FOR ACSR CONDUCTOR - CLEVIS TYPE (BOLTED)



Material: Galvanized Forged Steel + Aluminium

| Part Number | Drawing Number | Code Name | Type of Conductor | Conductor Stranding |
|-------------|----------------|-----------|-------------------|---------------------|
| 931234-000 | A3DD1811T | 1272MCM | ACSR | 42/4.42+7/2.46 |



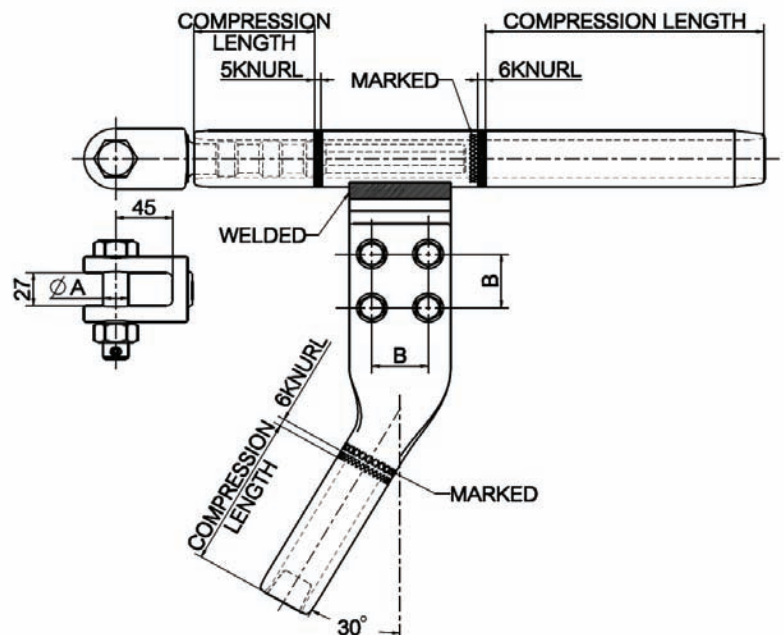
COMPRESSION DEAD-END FOR ACSR CONDUCTOR - CLEVIS TYPE (BOLTED)

| Part Number | Drawing Number | Code Name | Type of Conductor | Conductor Stranding | A Bolt Size (mm) | B (mm) |
|-------------|----------------|--------------|-------------------|---------------------|------------------|--------|
| 040442-000 | A4DD10659T | 435/55SQ.MM. | ACSR | 54/3.2+19/3.2 | Ø16 | 44.5 |
| C57881-000 | A4DD15387T | CURLEW | ACSR | 54/3.52+7/3.52 | Ø20 | 44.5 |
| CG4125-000 | A4DD15254T | DRAKE | ACSR | 26/4.44+7/3.45 | Ø20 | 44.5 |
| C26114-000 | A4DD11945T* | 550/70 | ACSR | 54/3.6+7/3.6 | Ø16 | 44.5 |
| C51749-000 | A4DD17733T* | 330SQ.MM. | TACSR | 26/4+7/3.1 | Ø16 | 44.5 |

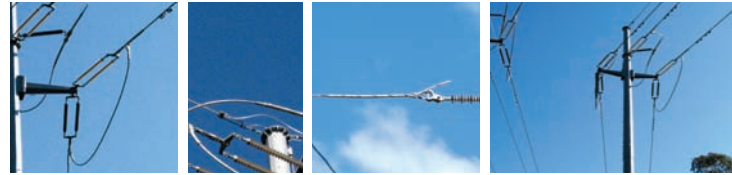
* Assembly with Rivet Type



Material: Galvanized Forged Steel + Aluminium



TERMINATION

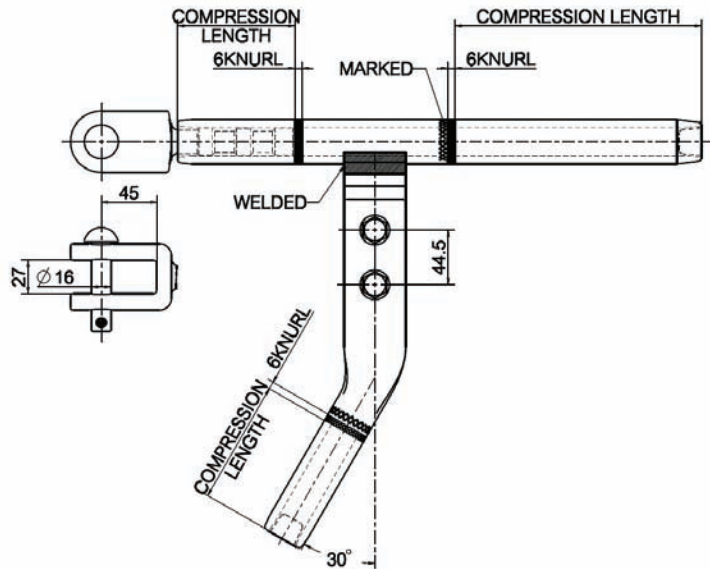


COMPRESSION DEAD-END FOR AAAC CONDUCTOR - CLEVIS TYPE (RIVET)

| Part Number | Drawing Number | Code Name | Type of Conductor | Conductor Stranding |
|-------------|----------------|-----------|-------------------|---------------------|
| C19118-000 | A4DD15388T | ASH | AAAC | 19/3.48 |

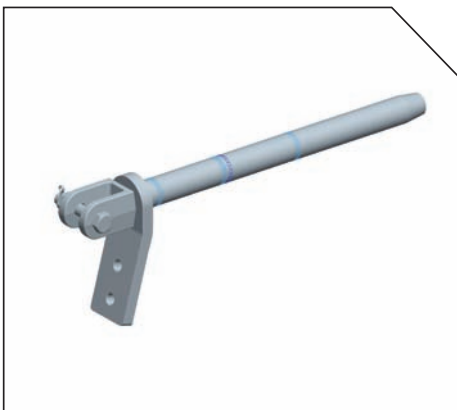


Material: Galvanized Forged Steel + Aluminium

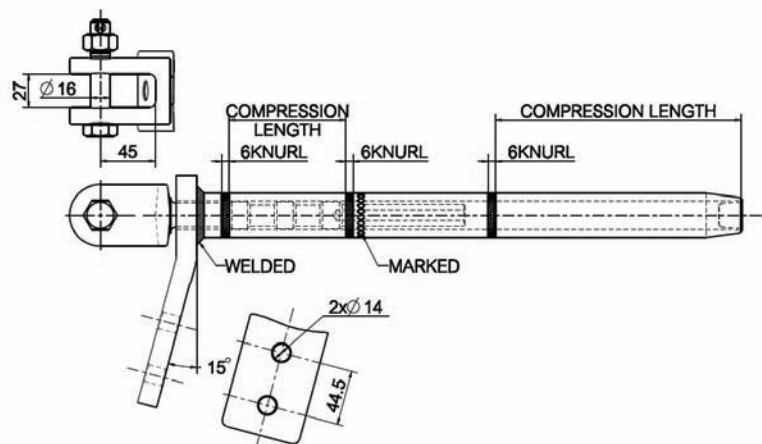


COMPRESSION DEAD-END FOR ACSR CONDUCTOR - CLEVIS TYPE (BOLTED)

| Part Number | Drawing Number | Code Name | Type of Conductor | Conductor Stranding |
|-------------|----------------|---------------|-------------------|---------------------|
| 796466-000 | A4DD17881T | 477MCM "HAWK" | ACSR | 26/3.44+7/2.67 |



Material: Galvanized Forged Steel + Aluminium

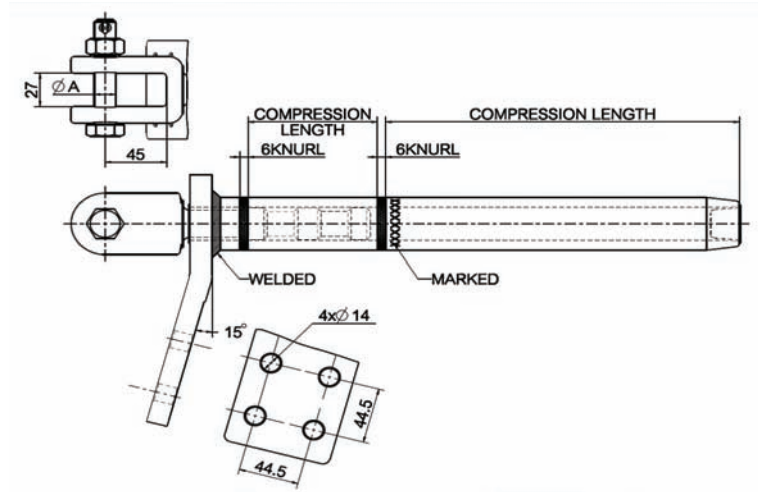
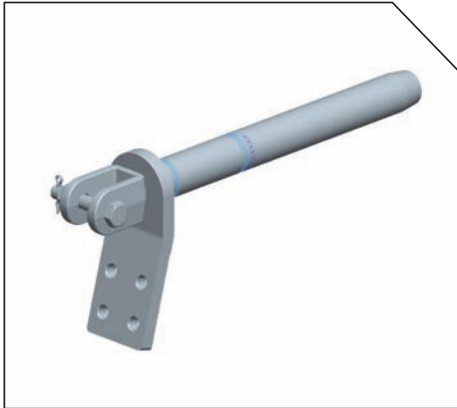


TERMINATION



COMPRESSION DEAD-END FOR AAC CONDUCTOR - CLEVIS TYPE (BOLTED)

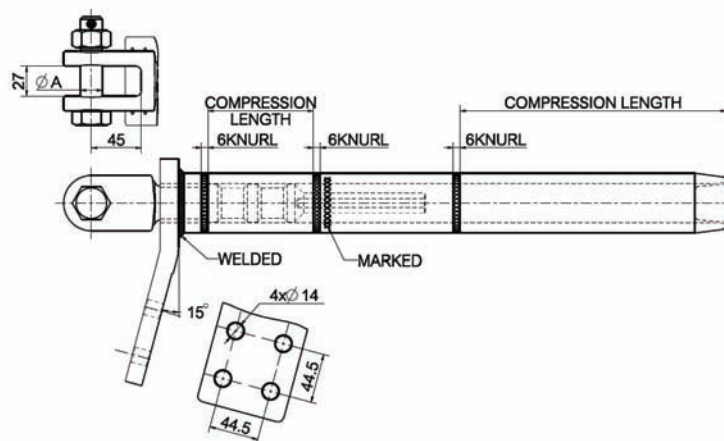
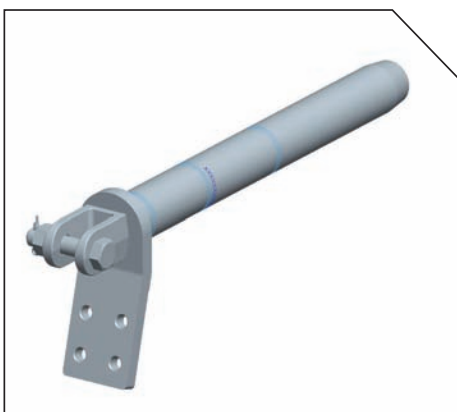
| Part Number | Drawing Number | Code Name | Type of Conductor | Conductor Stranding | A Bolt Size (mm) |
|-------------|----------------|-----------|-------------------|---------------------|------------------|
| 314616-000 | A4DD17367T | 400SQ.MM. | AAC | 32/3.60+19/2.40 | Ø16 |



Material: Galvanized Forged Steel + Aluminium

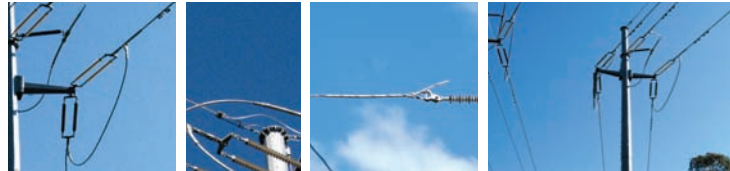
COMPRESSION DEAD-END FOR ACSR CONDUCTOR - CLEVIS TYPE (BOLTED)

| Part Number | Drawing Number | Code Name | Type of Conductor | Conductor Stranding | A Bolt Size (mm) |
|-------------|----------------|---------------|-------------------|---------------------|------------------|
| CG9881-000 | A4DD16227T | 1272MCM | ACSR | 42/4.42+7/2.46 | Ø20 |
| 876454-000 | A4DD17832T | 477MCM "HAWK" | ACSR | 26/3.44+7/2.67 | Ø16 |
| CJ9005-000 | A4DD16115T | 380/50SQ.MM. | ACSR | 54/3.0+7/3.0 | Ø16 |



Material: Galvanized Forged Steel + Aluminium

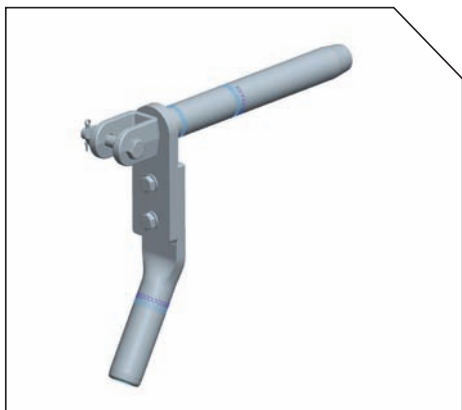
TERMINATION



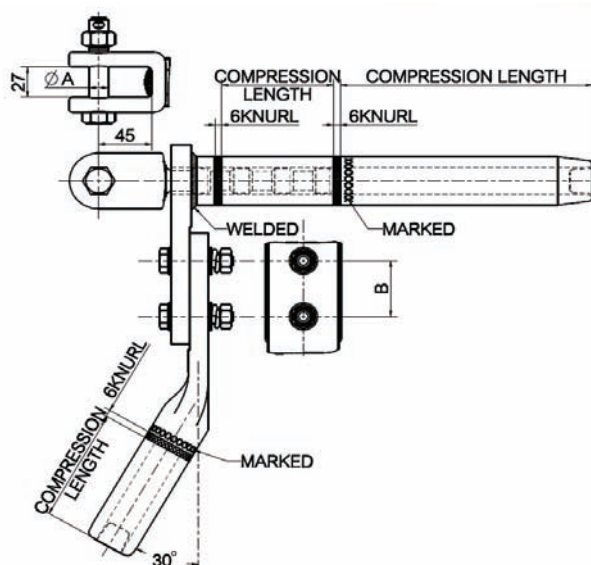
COMPRESSION DEAD-END FOR AAAC - CLEVIS TYPE (BOLTED)

| Part Number | Drawing Number | Code Name | Type of Conductor | Conductor Stranding | A Bolt Size (mm) | B (mm) |
|-------------|----------------|-----------|-------------------|---------------------|------------------|--------|
| C12351-000 | A4DD15497T | SYCAMORE | AAAC | 37/3.23 | Ø16 | 50 |
| D19361-000 | A4DD15240T* | ASTER 366 | AAAC | 37/3.55 | Ø16 | 44.5 |

* Assembly with Rivet Type



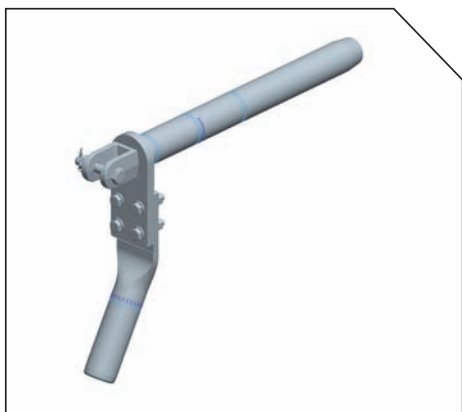
Material: Galvanized Forged Steel + Aluminium



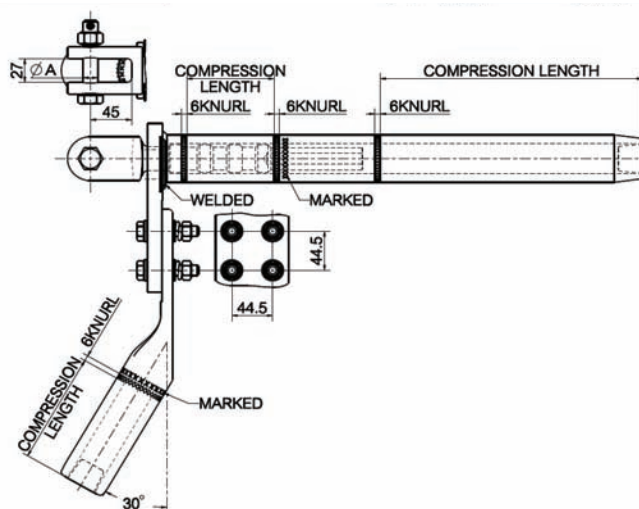
COMPRESSION DEAD-END FOR ACSR CONDUCTOR - CLEVIS TYPE (BOLTED)

| Part Number | Drawing Number | Code Name | Type of Conductor | Conductor Stranding | A Bolt Size (mm) |
|-------------|----------------|-----------|-------------------|---------------------|------------------|
| A45253-000 | A4DD11743T | DOVE | ACSR | 26/3.72+7/2.89 | Ø20 |
| 021516-000 | A4DD08435T | RAIL | ACSR | 45/3.7+7/2.47 | Ø16 |
| E89586-000 | A4DD15339T* | 400/51 | ACSR | 54/3.05+7/3.05 | Ø16 |
| E94757-000 | A4DD12574T* | 520SQ.MM. | TACSR | 54/3.50+7/3.80 | Ø16 |

* Assembly with Rivet Type



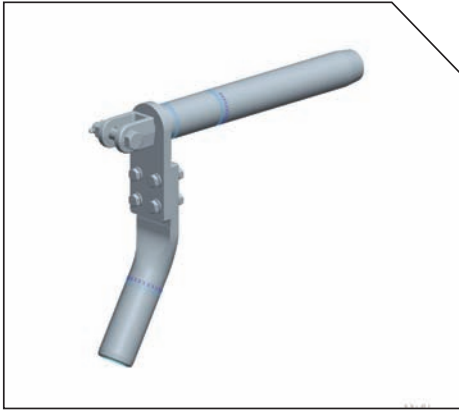
Material: Galvanized Forged Steel + Aluminium



TERMINATION

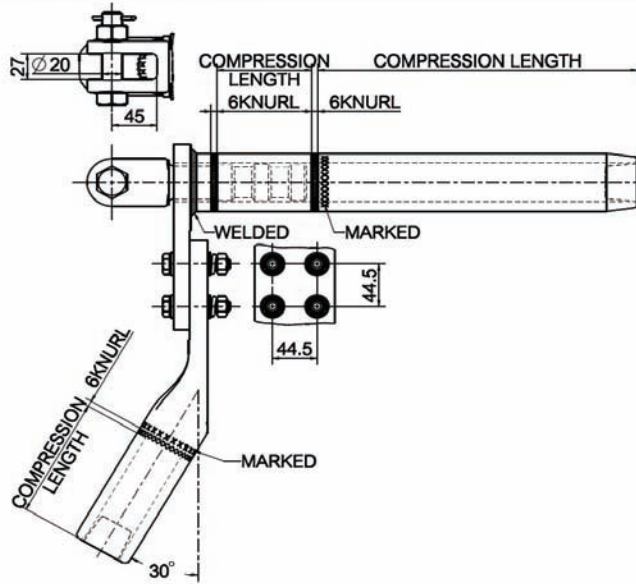


COMPRESSION DEAD-END FOR AAAC CONDUCTOR - CLEVIS TYPE (BOLTED)

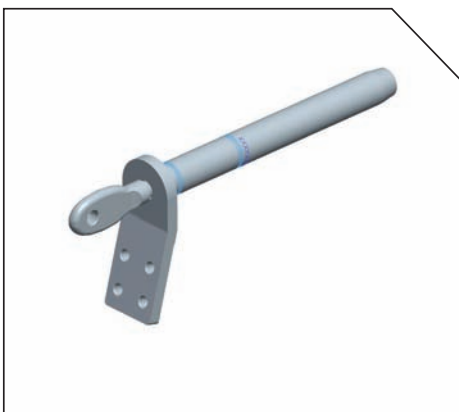


Material: Galvanized Forged Steel + Aluminium

| Part Number | Drawing Number | Code Name | Type of Conductor | Conductor Stranding |
|-------------|----------------|-----------|-------------------|---------------------|
| 391152-000 | A4DD13257T | 800SQ.MM. | AAAC | 91/3.25 |
| CL0873-000 | A4DD16191T | 850SQ.MM. | AAAC | 61/4.2 |

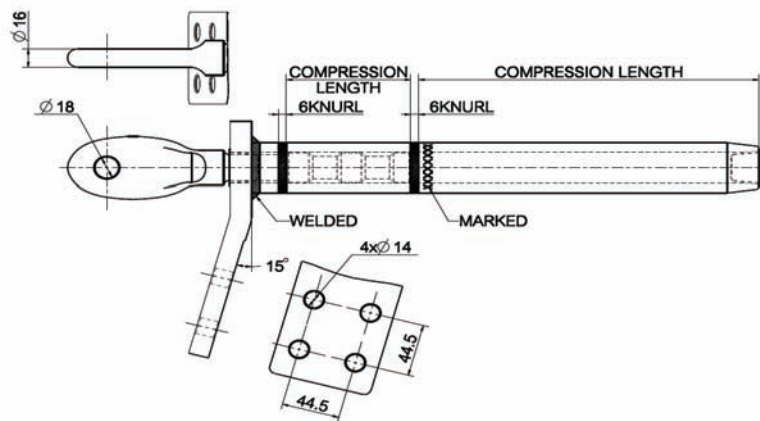


COMPRESSION DEAD-END FOR AAC CONDUCTOR - TONGUE TYPE

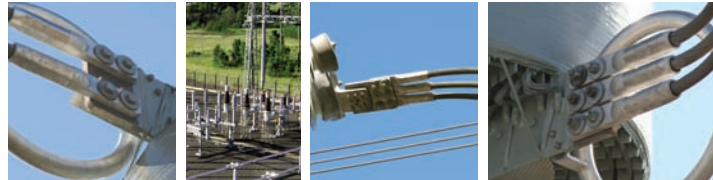


Material: Galvanized Forged Steel + Aluminium

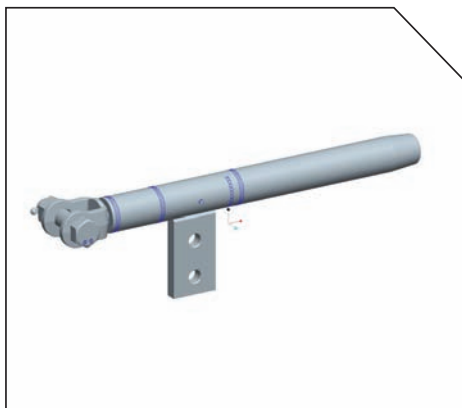
| Part Number | Drawing Number | Code Name | Type of Conductor | Conductor Stranding |
|-------------|----------------|-----------|-------------------|---------------------|
| CE9049-000 | A4DD18019T | 400SQ.MM. | AAAC | 61/2.85 |



TERMINATION



COMPRESSION DEAD-END ASSEMBLY - CLEVIS ENDED (BOLTED)



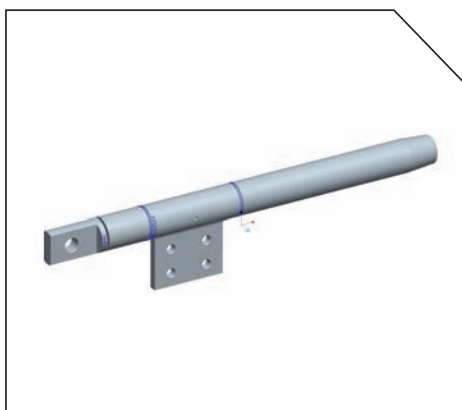
Material: Aluminium + Galvanized Steel

BRITISH STANDARD (BS)

| Part Number | Drawing Number | Conductor |
|-------------|----------------|-------------|
| 413064-000 | DK72006 | KEZIAH-LYNX |
| 571680-000 | DK72001 | KEZIAH-LYNX |
| F79002-000 | DK72114 | UPAS |
| 347030-000 | DK72007 | ZEBRA |
| 629414-000 | DK72012 | RUBUS |
| A41700-000 | DK72152 | SORBUS |
| 204128-000 | DK72207 | MATTHEW |

COMPRESSION DEAD-END ASSEMBLY - TONGUE ENDED

BRITISH STANDARD (BS)



Material: Aluminium + Galvanized Steel

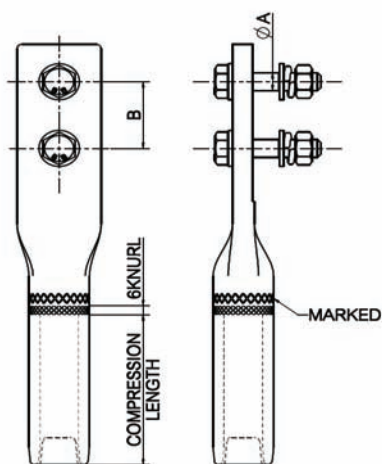
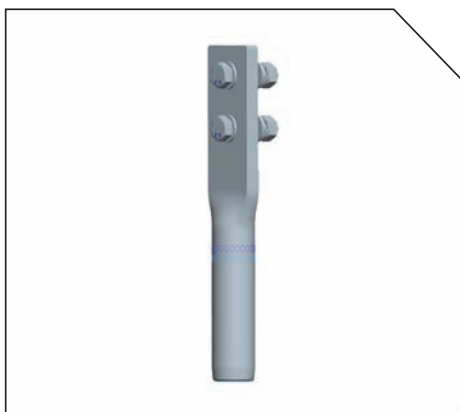
| Part Number | Drawing Number | Conductor |
|-------------|----------------|-----------|
| 186622-000 | DK72003 | ARAUCARIA |
| C10380-000 | DK72188 | REDWOOD |

TERMINATION



JUMPER TERMINAL STRAIGHT TYPE

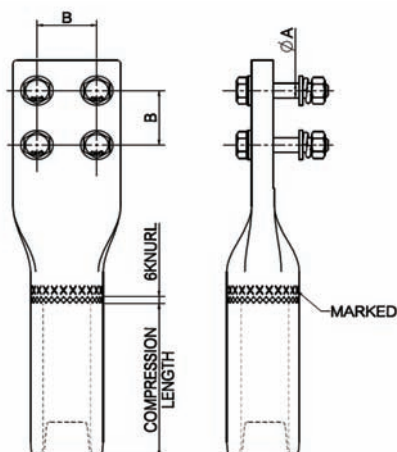
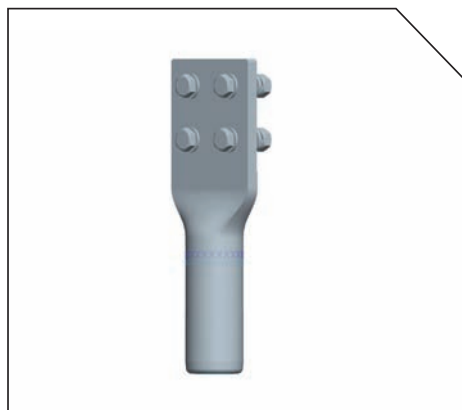
| Part Number | Drawing Number | Code Name | Type of Conductor | Conductor Stranding | A Bolt Size (mm) | B (mm) |
|-------------|----------------|-----------------|-------------------|-------------------------------|------------------|--------|
| 800822-000 | A4DD17229T | 150SQ.MM. | GZTACSR | (14+10)TW+7/2.0 | Ø12 | 44.5 |
| CJ3964-000 | A4DD10220T | 175SQ.MM. "ELM" | AAAC | 19/3.76 | Ø12 | 50 |
| 715636-000 | A4DD17298T | 200SQ.MM. | GZTACSR | 18/2.8+11/TW+7/2.4EST | Ø12 | 44.5 |
| CK2946-000 | A4DD16156T | 208SQ.MM. | GZTACSR | 14, 10(3.37,3.26)+7/2.4EST | Ø16 | 44.5 |
| 035508-000 | A4DD17675T | 240SQ.MM. | GTACSR | 15/TW(3.49)+10/TW(3.74)+7/2.4 | Ø12 | 44.5 |
| 030584-000 | A4DD17824T | 240/38SQ.MM. | ACSR | 26/3.4+7/2.65 | Ø12 | 44.5 |
| 322336-000 | A4DD15331T | 477MCM "HAWK" | ACSR | 26/3.44+7/2.68 | Ø12 | 44.5 |
| E50765-000 | A4DD15454T | ZEBRA | ACSR | 54/3.18+7/3.18 | Ø12 | 50 |



Material: Aluminium + Galvanized Steel

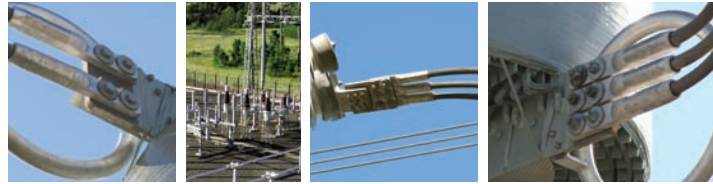
JUMPER TERMINAL STRAIGHT TYPE

| Part Number | Drawing Number | Code Name | Type of Conductor | Conductor Stranding | A Bolt Size (mm) | B (mm) |
|-------------|----------------|--------------------|-------------------|-----------------------------|------------------|--------|
| CG8144-000 | A4DD17994T | 385SQ.MM. | GSTACSR | 20/TW(4.95)+7/2.15 | Ø12 | 44.5 |
| 717298-000 | A4DD08933T | 400SQ.MM. | AAC | 61/2.85 | Ø12 | 44.5 |
| D45388-000 | A4DD14700T | 400SQ.MM. "795MCM" | AAC | 37/3.72 | Ø12 | 44.5 |
| 109348-000 | A4DD16873T | 410SQ.MM. | GZTACSR | 15,10/TZ(4.6,4.5)+7/3.0EST | Ø12 | 50 |
| CG5247-000 | A4DD15902T | 410SQ.MM. | GTACSR | 15/4.6+10/TW+7/3.0 | Ø12 | 50 |
| CL3603-000 | A4DD16079T | 427SQ.MM. | GTACSR | 13/TW(5.06)+10/TW(4.58)+7/3 | Ø12 | 44.5 |
| 545770-000 | A4DD16544T | 530SQ.MM. | TACSR | (54/3.53)TAL+(7/3.53)ACS | Ø12 | 50 |
| E78824-000 | A4DD15264T | 1272MCM | ACSR | 42/4.42+7/2.46 | Ø12 | 44.5 |



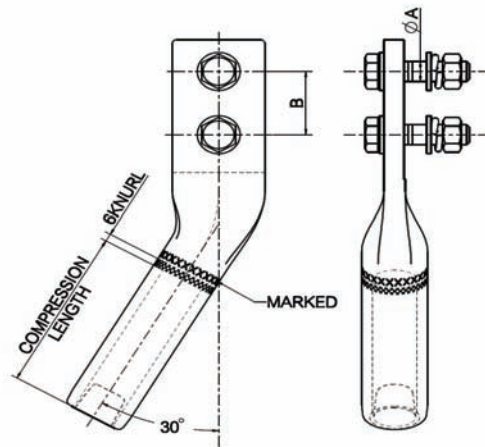
Material: Aluminium + Galvanized Steel

TERMINATION



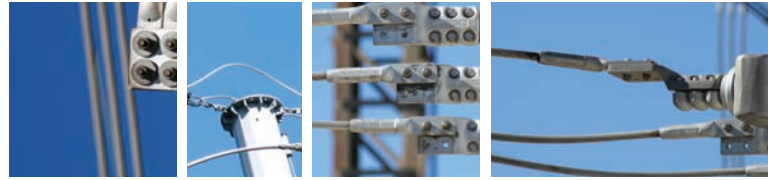
JUMPER TERMINAL 30°

| Part Number | Drawing Number | Code Name | Type of Conductor | Conductor Stranding | A Bolt Size (mm) | B (mm) |
|-------------|----------------|--------------|-------------------|-------------------------------|------------------|--------|
| 111458-000 | A4DD16877T | 50/168 | STACIR | 34/2.51+7/3.00 | Ø12 | 44.5 |
| CB7788-000 | A4DD17907T | 185/30SQ.MM. | ACSR | 26/3.00+7/2.33 | Ø12 | 44.5 |
| EA4097-000 | A4DD16488T | 238/97SQ.MM. | STACIR | 40/2.75STAI+7/4.2AW | Ø16 | 44.5 |
| CF1648-000 | A4DD15920T | 240/40 | ACSR | 26/3.45+7/2.68 | Ø12 | 44.5 |
| CE0100-000 | A4DD15590T | 240/32 | ACSR | 24/3.6+7/2.4 | Ø12 | 44.5 |
| 401206-000 | A4DD17227T | 150SQ.MM. | GZTACSR | (14+10)TW+7/2.0 | Ø12 | 44.5 |
| 445432-000 | A4DD16979T | 185SQ.MM. | GTACSR | 14/TW3.27+10/TW2.98+7/2.0 | Ø12 | 44.5 |
| 751612-000 | A4DD16095T | 200SQ.MM. | GZTACSR | 18/2.8+11/TW+7/2.4EST | Ø12 | 44.5 |
| CK2949-000 | A4DD16140T | 208SQ.MM. | GZTACSR | 14,10/TW(3.37,3.266)+7/2.4EST | Ø16 | 44.5 |
| P00618-000 | A4DD17002T | 240SQ.MM. | GTACSR | 15/TW(3.49)+10/TW(3.74)+7/2.4 | Ø12 | 44.5 |
| 819728-000 | A4DD17180T | 795MCM | ACSR/AW | 42/3.5+7/1.94 | Ø16 | 44.5 |
| C16254-000 | A4DD15389T | ASH | AAAC | 19/3.48 | Ø12 | 44.5 |
| E70708-000 | A4DD15545T | ELM | AAAC | 19/3.76 | Ø12 | 50 |
| C15986-000 | A4DD15531T | OSTRICH | ACSR | 26/2.73+7/2.12 | Ø12 | 44.5 |
| A87660-000 | A4DD14936T | SYCAMORE | AAAC | 37/3.23 | Ø12 | 50 |
| 863802-000 | A4DD17570T | TERN | ACSR | 45/3.36+7/2.24 | Ø12 | 44.5 |
| 886666-000 | A4DD16758T | ZEBRA | ACSR | 54/3.18+7/3.18 | Ø16 | 50 |



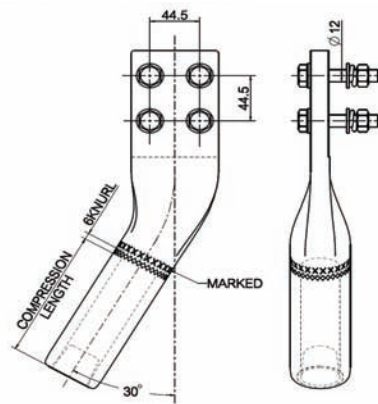
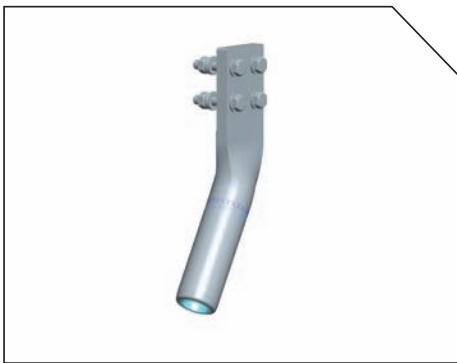
Material: Aluminium + Galvanized Steel

TERMINATION



JUMPER TERMINAL 30°

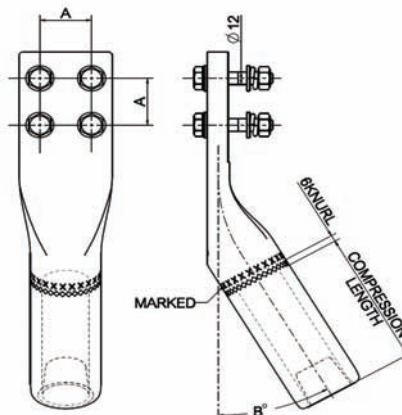
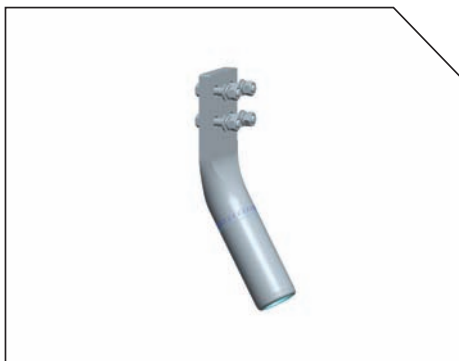
| Part Number | Drawing Number | Code Name | Type of Conductor | Conductor Stranding |
|-------------|----------------|--------------|-------------------|-------------------------------|
| 459764-000 | A4DD17734T | 330SQ.MM. | TACSR | 26/4+7/3.1 |
| CG1288-000 | A4DD15757T | 300SQ.MM. | GTACSR | 13/TW(4.29)+10/TW(3.72)+7/2.4 |
| P01248-000 | A4DD18037T | 795MCM | ACSR | 42/3.5+7/1.94 |
| 133720-000 | A4DD16517T | 400/51 | ACSR | 54/3.05+7/3.05 |
| 503050-000 | A4DD16676T | 435/55SQ.MM. | ACSR | 54/3.2+19/3.2 |
| CG4128-000 | A4DD15253T | DRAKE | ACSR | 26/4.44+7/3.45 |
| CG8166-000 | A4DD17990T | 385SQ.MM. | GSTACSR | 20/TW4.95+7/2.15 |
| CF6711-000 | A4DD15978T | 560/50 | ACSR | 48/3.86+7/3.00 |
| 133150-000 | A4DD16416T | 1272MCM | ACSR/GA | 42/4.42+7/2.46 |
| 055248-000 | A4DD17223T | 540SQ.MM. | GTACSR | 42/3.5+11/TW3.98+7/3.1 |
| 942946-000 | A4DD17234T | 456SQ.MM. | ZTACIR/AS | 24/TW5.15+19/2.6 |



Material: Aluminium + Galvanized Steel

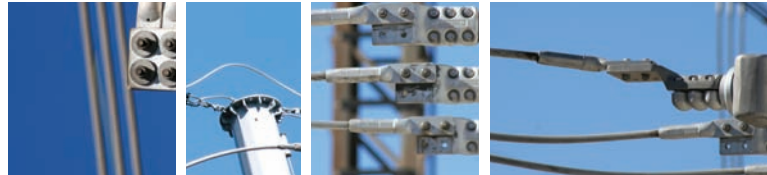
JUMPER TERMINAL 15° & 30°

| Part Number | Drawing Number | Code Name | Type of Conductor | Conductor Stranding | A (mm) | B (Angle) |
|-------------|----------------|-----------------------|-------------------|---------------------|--------|-----------|
| 280476-000 | A4DD17856T | 400SQ.MM. | AAC | 61/2.85 | 44.5 | 15 |
| 187280-000 | A4DD17629T | 400SQ.MM. | AAC | 61/2.85 | 44.5 | 15 |
| C62937-000 | A4DD08112T | 400SQ.MM. | AAC | 61/2.85 | 44.5 | 15 |
| 377866-000 | A4DD16775T | 1000SQ.MM. | AAAC | 91/3.74 | 50 | 30 |
| CM2270-000 | A4DD16441T | 810SQ.MM. "COREOPSIS" | AAC | 61/4.11 | 44.5 | 30 |
| D26735-000 | A4DD16234T | 800SQ.MM. | AAAC | 91/3.25 | 44.5 | 30 |
| C47630-000 | A4DD16053T | 520SQ.MM. | TACSR | 54/3.50+7/3.80 | 44.5 | 30 |
| 867546-000 | A4DD17242T | 1272MCM | ACSR/GA | 42/4.42+7/2.46 | 44.5 | 30 |
| CF3627-000 | A4DD08104T | 380/50SQ.MM. | ACSR | 54/3.0+7/3.0 | 44.5 | 30 |
| F38763-000 | A4DD15528T | YEW | AAAC | 37/4.06 | 44.5 | 30 |

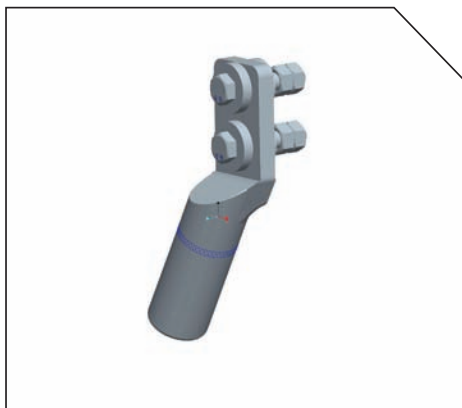


Material: Aluminium + Galvanized Steel

TERMINATION



COMPRESSION JUMPER PALM - NGTS

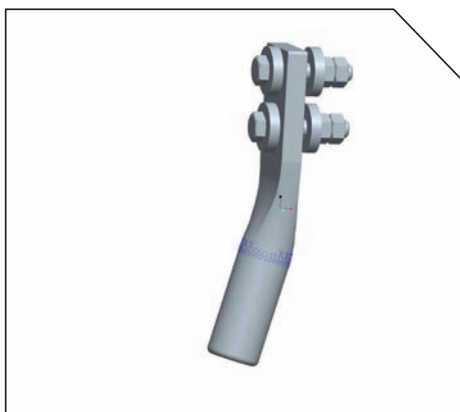


Material: Aluminium + Galvanized Steel

BRITISH STANDARD (BS)

| Part Number | Drawing Number | Conductor | Jumper Palm Angle | No of Bolts |
|-------------|----------------|-------------|-------------------|-------------|
| 143284-000 | DK73015 | KEZIAH-LYNX | 0 | 2 |
| 110818-000 | DK73081 | KEZIAH-LYNX | 30 | 2 |
| 943414-000 | DK73097 | UPAS | 0 | 2 |
| F27795-000 | DK73088 | UPAS | 30 | 2 |
| 252990-000 | DK73001 | ZEBRA | 0 | 2 |
| 225150-000 | DK73030 | ZEBRA | 30 | 2 |
| 435306-000 | DK73000 | RUBUS | 0 | 2 |
| 937222-000 | DK73002 | RUBUS | 30 | 2 |
| E42084-000 | DK73059 | SORBUS | 0 | 2 |
| E57242-000 | DK73060 | SORBUS | 30 | 2 |
| 680258-000 | DK73003 | ARAUCARIA | 0 | 4 |
| 583966-000 | DK73008 | ARAUCARIA | 30 | 4 |
| 077472-000 | DK73067 | REDWOOD | 0 | 4 |
| 193308-000 | DK73068 | REDWOOD | 30 | 4 |
| E97347-000 | DK73095 | MATTHEW | 30 | 4 |

COMPRESSION JUMPER PALM - DNO

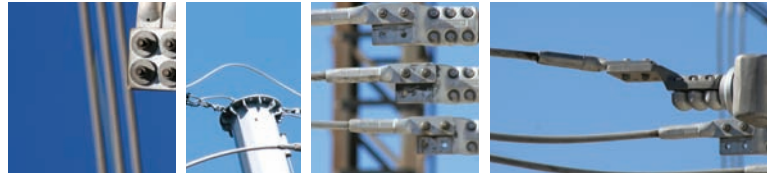


Material: Aluminium + Galvanized Steel

BRITISH STANDARD (BS)

| Part Number | Drawing Number | Conductor | Jumper Palm Angle | No. of Bolts |
|-------------|----------------|-----------|-------------------|--------------|
| E31037-000 | DK73078 | LYNX | 30 | 2 |
| CJ3191-000 | DK73074 | UPAS | 15 | 2 |
| CJ3194-000 | DK73073 | ZEBRA | 15 | 2 |

TERMINATION



COMPRESSION DEAD-END ASSEMBLY COMPLETE WITH JUMPER FULL TENSION COMPRESSION DIES - ACSR CONDUCTOR

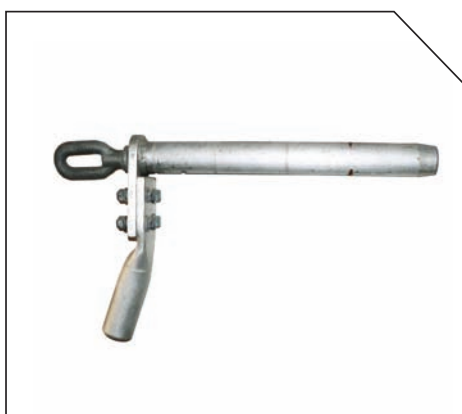


Material: Aluminium + Galvanized Steel

AUSTRALIAN STANDARD (AS)

| Part Number | Drawing Number | Conductor | Ref Code | Jumper Palm Angle | No. of Bolts |
|-------------|----------------|-----------------------------|--------------|-------------------|--------------|
| 759730-000 | 26041 | Banana | PLP-HD516E | 30 | 2 |
| 506318-000 | 55033 | Petrel | PLP-HD517E | 30 | 2 |
| 900112-000 | 23140 | COYOTE | PLP-HD523E | 30 | 2 |
| D22292-000 | 55001 | GRAPE/CORN/ CRICKET-1120 | PLP-HD525E | 30 | 2 |
| 953334-000 | 55001 | GRAPE/CORN/ CRICKET-1120 | PLP-HD525E2 | 30 | 2 |
| C01742-000 | 55081 | GRAPE | PLP-HD525T20 | 30 | 2 |
| D87580-000 | 23663 | GRAPE | PLP-HD525TK | 30 | 2 |
| 196082-000 | 55001 | GRAPE/CORN/ CRICKET-1120 | PLP-HD526E | 30 | 2 |
| 112162-000 | 55003 | LEMON | PLP-HD530E | 30 | 2 |
| 842146-000 | 55003 | LEMON | PLP-HD530E2 | 30 | 2 |
| C24204-000 | 55013 | LIME | PLP-HD532E | 30 | 2 |
| A60887-000 | 26234 | GOAT/TRITON | PLP-HD533E14 | 30 | 4 |
| 903918-000 | 55064 | MANGO | PLP-HD535E | 30 | 4 |
| F51956-000 | 55064 | MANGO | PLP-HD535EK | 30 | 4 |
| 065590-000 | 55017 | OLIVE/MOOSE | PLP-HD538E | 30 | 4 |
| 105552-000 | 55017 | OLIVE/MOOSE | PLP-HD538E2 | 30 | 4 |
| C56440-000 | 55017 | OLIVE/MOOSE | PLP-HD538EK | 30 | 4 |
| CA9377-000 | 27812 | MOOSE | PLP-HD538EW | 0 | 2 |
| 443624-000 | 55005 | PAWPAW | PLP-HD541E | 30 | 4 |
| D24952-000 | 51626 | PAWPAW | PLP-HD541EV | 0 | 4 |
| A91738-000 | 26045 | LYCHEE | PLP-HD580EK | 30 | 2 |

COMPRESSION DEAD-END ASSEMBLY COMPLETE WITH JUMPER FULL TENSION COMPRESSION DIES - AAC CONDUCTOR

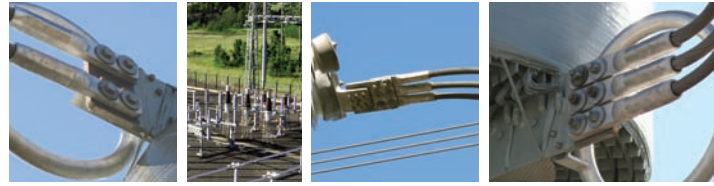


Material: Aluminium + Galvanized Steel

AUSTRALIAN STANDARD (AS)

| Part Number | Drawing Number | Conductor | Ref Code | Jumper Palm Angle | No. of Bolts |
|-------------|----------------|---------------|--------------|-------------------|--------------|
| E77203-000 | 55019 | MAR | PLP-HD608T | 30 | 2 |
| D07481-000 | 41869 | MOON | PLP-HD612E1 | 30 | 2 |
| 367592-000 | 52492 | NEPTUNE | PLP-HD615E | 30 | 2 |
| 898094-000 | 25611 | SATURN | PLP-HD618E | 30 | 2 |
| F03200-000 | 25611 | SATURN | PLP-HD618E2 | 30 | 2 |
| E83494-000 | 55051 | TRITON | PLP-HD621E | 30 | 4 |
| E24791-000 | 55051 | TRITON | PLP-HD621E1 | 30 | 4 |
| E00841-000 | 55051 | TRITON | PLP-HD621E2 | 30 | 4 |
| D28094-000 | 25845 | TRITON | PLP-HD621E71 | 30 | 2 |
| 023548-000 | 25448 | TRITON | PLP-HD621EW | 0 | 4 |
| D37544-000 | 55078 | TRITON | PLP-HD621T | 30 | 4 |
| 857710-000 | 55062 | URANUS | PLP-HD623E | 30 | 4 |
| 575632-000 | 55062 | URANUS | PLP-HD623E2 | 30 | 4 |
| 702392-000 | 55050 | VENUS | PLP-HD624E | 30 | 4 |
| CJ0200-000 | 55050 | VENUS | PLP-HD624E2 | 30 | 4 |
| CM9352-000 | 28438 | 840Sq.mm. HAL | PLP-HD636E | 30 | 4 |

TERMINATION



COMPRESSION DEAD-END ASSEMBLY COMPLETE WITH JUMPER FULL TENSION COMPRESSION DIES - AAAC CONDUCTOR



Material: Aluminium + Galvanized Steel

AUSTRALIAN STANDARD (AS)

| Part Number | Drawing Number | Conductor | Ref Code | Jumper Palm Angle | No. of Bolts |
|-------------|----------------|---------------------------|-------------------|-------------------|--------------|
| CJ0613-000 | 27889 | JASPER & IODINE | PLP-HD706T | 30 | 2 |
| 142972-000 | 55037 | OPAL | PLP-HD707E | 30 | 2 |
| CG8449-000 | 55037 | OPAL | PLP-HD707E5 | 30 | 2 |
| 672162-000 | 55147 | PEARL/1120/NEON | PLP-HD708E | 30 | 2 |
| F53221-000 | 55147 | PEARL/1120/NEON | PLP-HD708E2 | 30 | 2 |
| 517812-000 | 55074 | RUBY/NITROGEN | PLP-HD709E | 30 | 2 |
| F01440-000 | 55074 | RUBY/NITROGEN | PLP-HD709E2 | 30 | 2 |
| 800738-000 | 26099 | RUBY/NITROGEN | PLP-HD709T | 30 | 2 |
| F94436-000 | 55123 | OXYGEN/RUTILE | PLP-HD710E2 | 30 | 2 |
| F82803-000 | 26268 | OXYGEN/RUTILE | PLP-HD710EQ | 30 | 4 |
| 635840-000 | 25269 | TAURUS/OXYGEN/ RUTILE | PLP-HD710T | 30 | 2 |
| 172706-000 | 23758 | SAPPHIRE/PHOS- PHOROUS | PLP-HD711E | 30 | 4 |
| 875376-000 | 23134 | 1120/PHOSPHO- RUS | PLP-HD711EF | 30 | 4 |
| 337080-000 | 24829 | SELENIUM/1120 | PLP-HD712E | 30 | 4 |
| CG5319-000 | 27957 | SELENIUM/1120 | PLP-HD712E9 | 30 | 2 |
| 972260-000 | 55096 | TOPAZ/SULPHUR | PLP-HD713E | 30 | 4 |
| E43486-000 | 55096 | TOPAZ/SULPHUR | PLP-HD713E2 | 30 | 4 |
| 455348-000 | 24613 | SELENIUM/1120 | PLP- HDE712E2B | 30 | 2 |

COMPRESSION DEAD-END FOR EARTHWIRE: COMPRESSION DIE

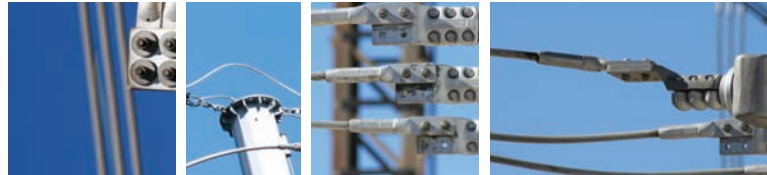


Material: Stainless Steel

AUSTRALIAN STANDARD (AS)

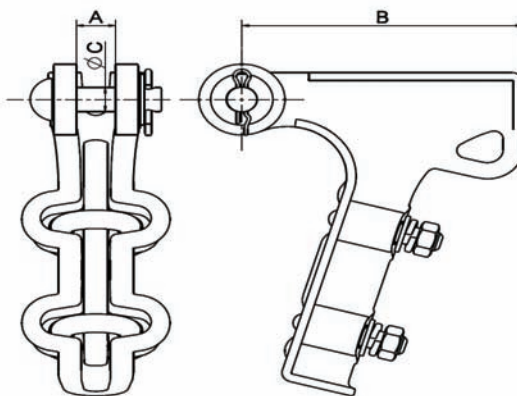
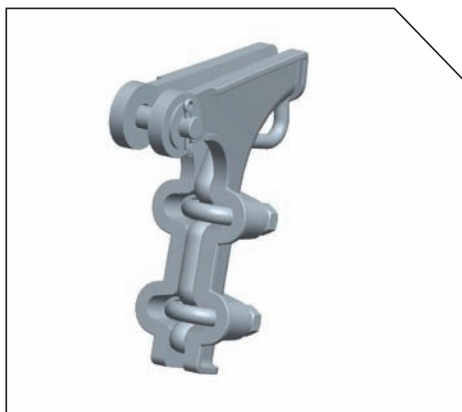
| Part Number | Drawing Number | Conductor | Ref Code |
|-------------|----------------|------------------|------------|
| 815788-000 | 23635 | 7/2.75 SC/AC(GZ) | PLP-HD806T |
| 471780-000 | 24620 | 7/3.25 SC/GZ | PLP-HD807T |

TERMINATION



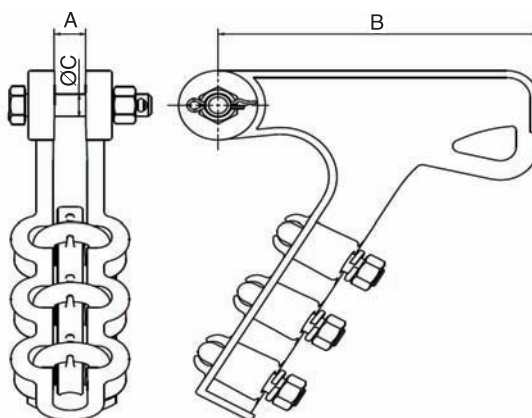
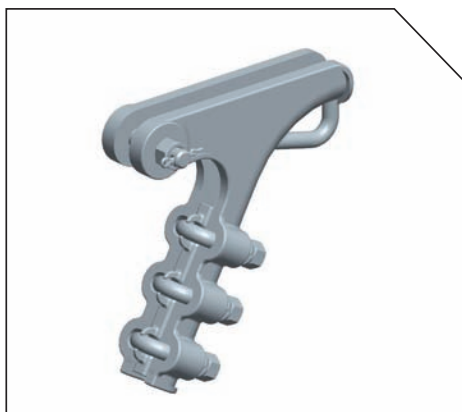
STRAIN CLAMP - 2 U BOLT

| Part Number | Drawing Number | Material | Description | Min. Breaking Strength (kN) | Conductor (mm) | A (mm) | B (mm) | C (mm) |
|-------------|----------------|--------------------|-------------|-----------------------------|----------------|--------|--------|--------|
| E23449-000 | A4DD4406T | Galv. Ductile Iron | Rivet Type | 70 | Ø6-11 | 21 | 150 | Ø16 |

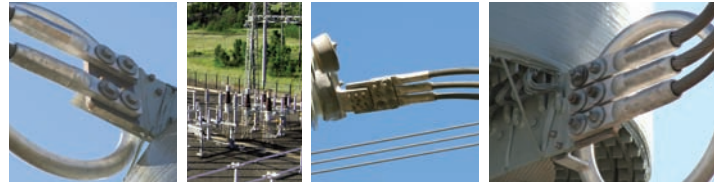


STRAIN CLAMP - 3 U BOLT

| Part Number | Drawing Number | Material | Desc. | Min. Breaking Strength (kN) | Conductor (mm) | A (mm) | B (mm) | C (mm) |
|-------------|----------------|--------------------|------------------|-----------------------------|----------------|--------|--------|--------|
| E71830-000 | A3DD4749T | Galv. Ductile Iron | Rivet Type | 70 | Ø5-15 | 19 | 200 | Ø16 |
| 173246-000 | A4DD16582T | Aluminium | Bolt Type | 59 | Ø10-16 | 19 | 203 | Ø16 |
| 200226-000 | DK97610 | Aluminium | Rivet Type | 59 | Ø10-16 | 19 | 203 | Ø16 |
| A35453-000 | DK97611 | Aluminium | Copper Conductor | 59 | Ø10-16 | 19 | 203 | Ø16 |

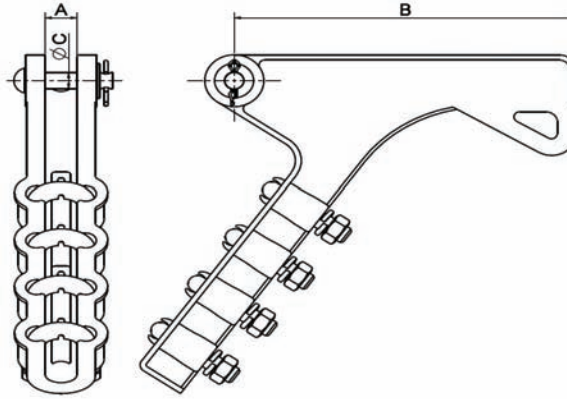
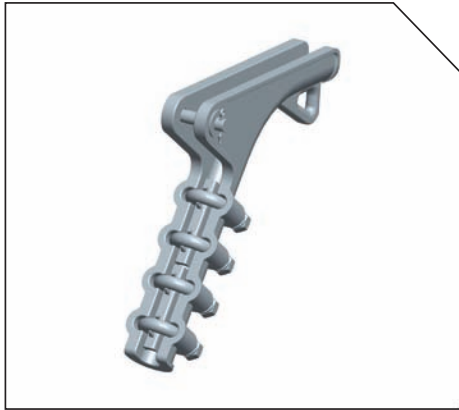


TERMINATION



STRAIN CLAMP - 4 U BOLT

| Part Number | Drawing Number | Material | Description | Min. Breaking Strength (kN) | Conductor (mm) | A (mm) | B (mm) | C (mm) |
|-------------|----------------|-----------|-------------|-----------------------------|----------------|--------|--------|--------|
| 478326-000 | DK97612 | Aluminium | Rivet Type | 78 | Ø16-21 | 27 | 209 | Ø16 |



STRAIN CLAMP - 5 U BOLT

| Part Number | Drawing Number | Material | Description | Min. Breaking Strength (kN) | Conductor (mm) | A (mm) | B (mm) | C (mm) |
|-------------|----------------|-----------|-------------|-----------------------------|----------------|--------|--------|--------|
| 824700-000 | A4DD17580T | Aluminium | Rivet Type | 80 | Ø13-30 | 34 | 330 | Ø16 |
| 732170-000 | A4DD17699T | Aluminium | Bolt Type | 80 | Ø13-30 | 34 | 330 | Ø16 |

